



HyGROMATIK®

FlexLine

Electrode Steam Humidifiers



Manual



FLE.EN
E-8881162

Certain computer programs contained in this product [or device] were developed by HygroMatik GmbH ("the Work(s)").

Copyright © HygroMatik GmbH [03.12.2018]

FLE 05/10/15/20/25/30/40/50/65/80/100/130 EN

All Rights reserved.

Current version of this manual can be found at: www.airtrend.rs

HygroMatik GmbH grants the legal user of this product [or device] the right to use the Work(s) solely within the scope of the legitimate operation of the product [or device]. No other right is granted under this licence. In particular and without prejudice to the generality of the foregoing, the Work(s) may not be used, sold, licensed, transferred, copied or reproduced in whole or in part or in any manner or form other than as expressly granted here without the prior written consent of HygroMatik GmbH.

Information in this manual is subject to change or alteration without prior notice.

▲ WARNING**Risk of electrical shock!**

Hazardous electrical high voltage!

All electrical work to be performed by certified expert staff (electricians or expert personnel with equivalent training) only.

1. Introduction	5
1.1 Typographic Distinctions	5
1.2 Documentation	5
1.3 Symbols in Use	5
1.3.1 Specific Symbols related to Safety Instructions	5
1.3.2 General Symbols	5
1.4 Intended Use	6
2. Safety Instructions	7
2.1 Guidelines for Safe Operation	7
2.1.1 Scope	7
2.1.2 Unit control	7
2.1.3 Unit Operation	7
2.1.4 Mounting, dismantling, maintenance and repair of the unit	8
2.1.5 Electrical	8
2.2 Disposal after dismantling	8
3. Transport	9
3.1 Overview	9
3.2 Packing	9
3.3 Interim Storage	9
3.4 Check for Complete and Correct Delivery of Goods	9
4. Functional Description and Device Composition	10
4.1 Mode of Action	10
4.2 Mechanical Construction	10
4.3 Operating sequence	11
5. Mechanical installation	12
5.1 Environment Parameters to be met and Mounting Recommendations	12
5.1.1 Dimensions and Mounting Directions	13
5.2 Unit Installation Check	16
5.3 Absorption Distance BN	17
5.3.1 Determining the Absorption Distance	17
5.3.2 Absorption Distance Nomogram	18
5.4 Steam Manifold	19
5.4.1 General installation guidelines	19
5.4.2 Recommendations for dimensioning	19
5.5 Steam line and condensate hose layout	22
5.5.1 Guide lines for steam line design	22
5.5.2 Condensate hose layout	22
5.5.3 Steam line and condensate hose installation types	23
6. Water connection	24
6.1 Operation with softened water	24
6.2 Water supply	25
6.3 Water discharge	25
6.4 Water connections final check	26

7. Electrical connection	27
7.1 Electrical installation approach	27
7.2 Cable connections	28
7.3 Safety interlock	29
7.4 Connection diagrams	29
7.5 Electrical installation check list	29
8. Commissioning	30
9. Maintenance	31
9.1 General	31
9.1.1 Service messages	31
9.1.2 Service messages for preventive maintenance	31
9.1.3 Safety instructions for maintenance	32
9.2 Maintenance frame work	33
9.3 Removal and reinstallation of the steam cylinder	34
9.4 Steam cylinder, electrodes and cylinder base cleaning	38
9.5 Checking cable connections	38
9.6 Solenoid valve removal/reinstallation and fine filter cleaning	39
9.7 Cleaning of blow-down pump	40
9.8 Inspection of hoses	41
9.9 Electrode replacement	41
9.10 Functional check	42
9.11 Finishing maintenance	42
10. Dismantling	43
11. Declaration of Conformity	44
12. Spare Parts	45
13. Technical specifications	50
14. Exploded view	52
15. View of housing	53

1. Introduction

Dear Customer,

Thank you for choosing a HygroMatik steam humidifier.

HygroMatik steam humidifiers represent the latest in humidification technology.

In order to operate your HygroMatik steam humidifier safely, properly and efficiently, please read these operating instructions.

Employ your steam humidifier only in sound condition and as directed. Consider potential hazards and safety issues and follow all the recommendations in these instructions.

If you have additional questions, please contact your expert dealer.

For all technical questions or spare parts orders, please be prepared to provide unit type and serial number (see name plate on the unit).

1.1 Typographic Distinctions

- preceded by a bullet: general specifications
- » preceded by an arrow: Procedures for servicing or maintenance which should or must be performed in the indicated order
- ☑ Installation step which must be checked off.

italics Terms used with graphics or drawings

1.2 Documentation

Please note

In addition to this manual, the appropriate FlexLine Control documentation is mandatory for the operation of the unit.

Retention

Please retain these operating instructions in a secure, always accessible location. If the product is resold, turn the documentation over to the new operator. If the documentation is lost, please contact HygroMatik.

Versions in Other Languages

These operating instructions are available in several languages. If interested, please contact HygroMatik or your HygroMatik dealer.

1.3 Symbols in Use

1.3.1 Specific Symbols related to Safety Instructions

According to ANSI Z535.6 the following signal words are used within this document:

▲ DANGER

DANGER indicates a hazardous situation which, if not avoided, will result in death or serious injury.

▲ WARNING

WARNING indicates a hazardous situation which, if not avoided, could result in death or serious injury.

▲ CAUTION

CAUTION indicates a hazardous situation which, if not avoided, could result in minor or moderate injury.

NOTICE

NOTICE is used to address practices not related to physical injury.

1.3.2 General Symbols

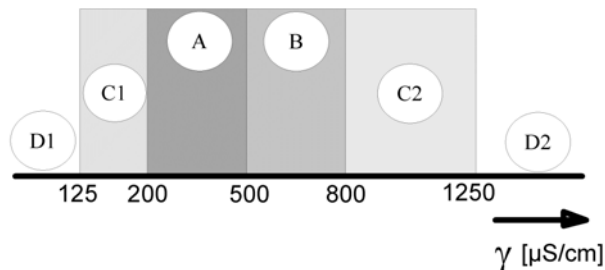
Please note

This symbol is used whenever a situation requires special attention beyond the scope of safety instructions.

1.4 Intended Use

HygroMatik electrode steam humidifiers serve for steam production based on tap water or partially softened water.

Only use supply water featuring a conductivity of 125 to 1250 $\mu\text{S}/\text{cm}$.



D1: Lower threshold

C1: Range of reduced conductivity
(adjustment required)

A: Normal Tap water

B: Range of increased conductivity

C2: Range of high conductivity
(adjustment required)

D2: Upper threshold

In the C1 and C2 ranges, adaptation of the periodic blow-down frequency may be required. Pls. refer to parameter „2-1“ and „2-2“ explanations given in the „Detailed parameter descriptions“ section.

Proper usage also comprises the adherence to the conditions specified by HygroMatik for:

- installation
- dismantling
- reassembly
- commissioning
- operation
- maintenance
- disposal.

Only qualified and authorised personnel may operate the unit. Persons transporting or working on the unit must have read and understood the corresponding parts of the Operation and Maintenance Instructions and especially the chapter 2. „Safety Notes“. Additionally, operating personnel must be informed of any possible dangers. You should place a copy of the Operation and Maintenance Instructions at the unit's operational location (or near the unit).

By construction, HygroMatik steam humidifiers are not qualified for exterior application.

⚠ WARNING

Risk of scalding!

Steam with a temperature of up to 100 °C (212° F) is produced.

Do not inhale steam directly!

2. Safety Instructions

These safety instructions are required by law. They promote workplace safety and accident prevention.

2.1 Guidelines for Safe Operation

2.1.1 Scope

Comply with the accident prevention regulation „DGUV Regulation 3“ to prevent injury to yourself and others. Beyond that, national regulations apply without restrictions.

2.1.2 Unit control

Do not perform any work which compromises the safety of the unit. Obey all safety instructions and warnings present on the unit.

In case of a malfunction or electrical power disruption, switch off the unit immediately and prevent a restart. Repair malfunctions promptly.

▲WARNING

Restricted use.

IEC 60335-1 stipulates as follows:

This device may be used by children of eight years of age and above as well as by persons with reduced physical, sensory or mental capabilities or lack of experience and knowledge so long as they are supervised or have been instructed regarding the safe use of the device and understand the hazards that may result from it. Cleaning and user maintenance of the unit must not be undertaken by children without supervision.

2.1.3 Unit Operation

▲WARNING

Risk of scalding!

Uncontrolled hot steam escape in case of leaking or defective components possible. Switch off unit immediately.

NOTICE

Risk of material damage!

The unit may be damaged if switched on repeatedly following a malfunction without prior repair.

Rectify defects immediately!

The unit must not be operated on a DC power supply.

The unit may only be used connected to a steam pipe that safely transports the steam.

Regularly check that all safety and monitoring devices are functioning normally. Do not remove or disable safety devices.

2.1.4 Mounting, dismantling, maintenance and repair of the unit

NOTICE

The HygroMatik steam humidifier is IP20 protected. Make sure that the unit is not object to dripping water in the mounting location.

Installing a humidifier in a room without water discharge requires safety devices to protect against water leakages.

- Use genuine spare parts only
- After any repair work, have qualified personnel check the safe operation of the unit
- Attaching or installing of **additional components** is permitted only with the **written consent** of the manufacturer

2.1.5 Electrical

⚠ WARNING

Risk of electrical shock!

Hazardous electrical voltage!

Any work on the electrical system to be performed by certified expert staff (electricians or expert personnel with comparable training) only.

Disconnect unit components from electrical power supply prior to work.

After electrical installation or repair work, test all safety mechanisms (such as grounding resistance).

NOTICE

Use only original fuses with the appropriate amperage rating.

Regularly check the unit's electrical equipment. Promptly repair any damage such as loose connections or burned wiring.

Responsibility for intrinsically safe installation of the HygroMatik steam humidifiers is incumbent on the installing specialist company.

2.2 Disposal after dismantling

NOTICE

The operator is responsible for the disposal of unit components as required by law.

3. Transport

3.1 Overview

Please note

Proceed carefully when transporting the steam humidifier in order to prevent damage due to stress or careless loading and unloading.

3.2 Packing

Please note

Pay attention to the icons affixed to the packing box.

3.3 Interim Storage

Store the unit in a dry place and protect from frost and strong sunlight.

3.4 Check for Complete and Correct Delivery of Goods

Upon receipt of the unit, confirm that:

- model and serial number on the name plate match those specified in the order and delivery documents
- the equipment is complete and all parts are in perfect condition

Please note

In case of damage from shipment and/or missing parts, immediately notify the carrier or supplier in writing.

Time limits for filing freight claims with shipping companies are*:

Shipping company	After receipt of goods
Carriers	no later than 4 days
Parcel service	immediately

* Time limits for some services subject to change.

4. Functional Description and Device Composition

4.1 Mode of Action

Making use of the frictional heat caused by current flow in a water tank

The HygroMatik humidifier utilizes the conductivity normally present in tap water for steam production. Electrodes inside an enclosed steam cylinder are immersed directly into the tap water. They are connected to the alternating current. The conductivity of the water generates an electric current between the electrodes. In this way, the electric power supplied is converted directly into heat without energy loss. The steam produced has a temperature of about 100°C (212°F) with minimal excess pressure ("pressureless steam"). It is largely free of minerals and germ-free. Mineral deposits typically remain behind in the cylinder.

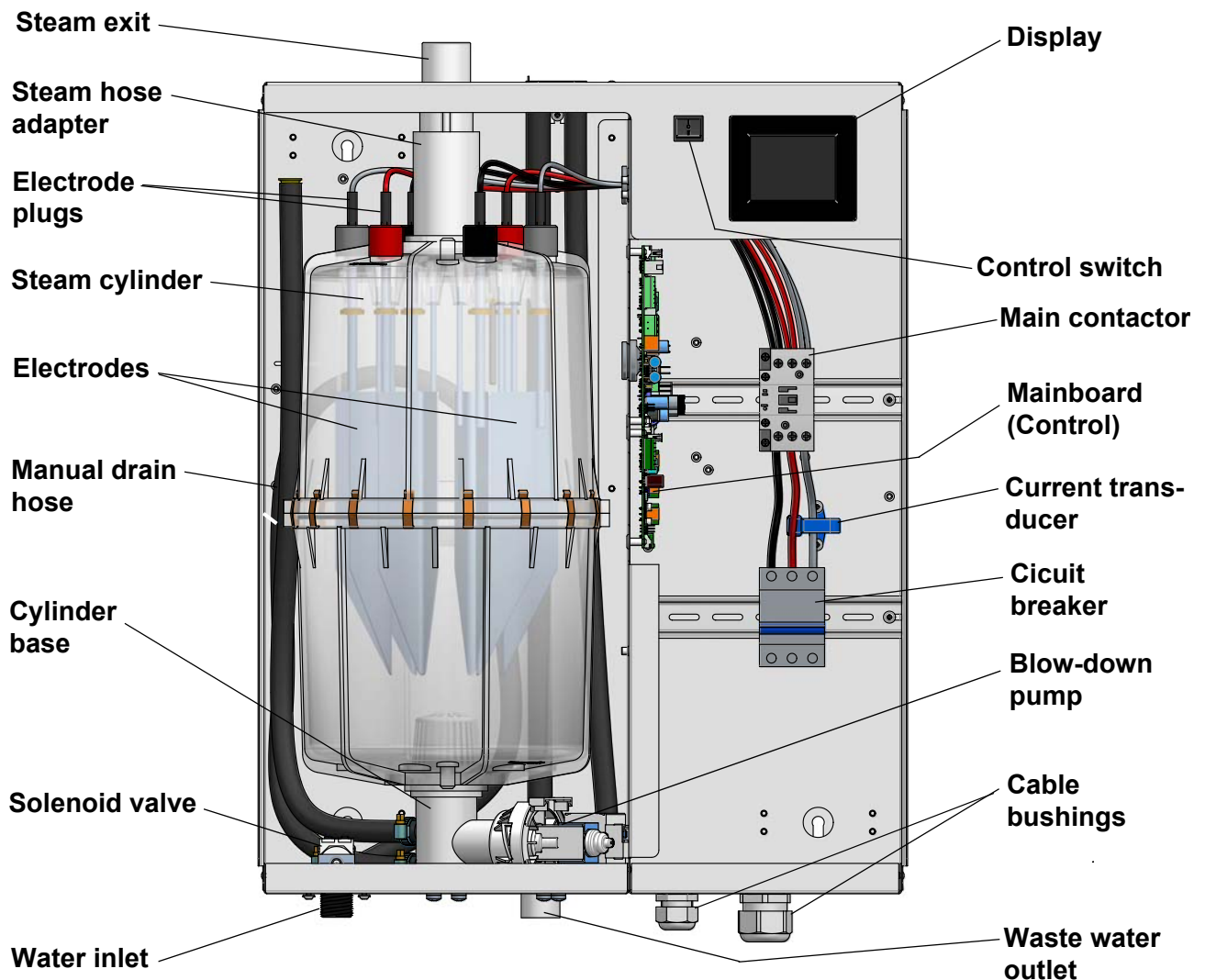
4.2 Mechanical Construction

The FlexLine humidifiers are designed for wall mounting. For maintenance purposes, the steam cylinders are separable in the middle.

Please note

Starting with the manufacturing date of 11/2018, the steam humidifiers FLE50/65/100/130 make use of a modified steam cylinder that are separable in the upper part of the wall. When replacing the steam cylinder, the new cylinders with the designation „CY45/2“ may be incorporated in the older units as well. With the steam cylinder modification also the electrodes have changed. The new electrodes only fit in the new steam cylinders.

The cylinders CY45/2 allow for unit operation without a cylinder star even in case of high conductivity of the cylinder water.



4.3 Operating sequence

By pressing the control switch („Pos. I“) the humidifier is turned on. When the controller specifies an increase in humidity, the main contactor is switched on and the electrodes (48^{*)} are supplied with power. The water inlet solenoid valve (25^{*)} feeds water into the steam cylinder (16^{*)}.

As soon as the electrodes are immersed, the current begins to flow. The water is now heated. When the pre-selected output is reached, the control turns off the solenoid valve and interrupts the water supply.

After a short heating up period, the water between the electrodes begins to boil and vaporize. The vaporization lowers the water level in the steam cylinder, reducing the output provided. The inlet solenoid valve, equipped with a fine mesh filter, intermittently admits fresh water.

Humidifier power usage is continuously monitored. With a cold start-up, the nominal current increases to 113% in order to achieve quick-start output parameters. This activates the electronic overflow limiter which causes a partial draining of the cylinder. This reduces the immersed surface area of the electrodes, lowering power usage.

The concentration of dissolved salts increases over time, which can lead to a rise in the conductivity of the water. If this continues, conductivity may increase until a short circuit occurs. This could damage the unit, but in any case would significantly reduce the life span of the electrodes.

For this reason, regular, periodic blow-downs of some of the concentrated water are very important. Following this procedure as recommended provides stable cylinder water conductivity as well as minimal water loss for the expected service life of the cylinder.

Water blow-down is performed by a blow-down pump (32^{*)}). The functioning of the blow-down pump is continuously monitored during operation. If the pump is damaged, the steam humidifier shuts down.

With normal water quality the blow-down loss rate lies between 7 and 15 % of the amount of steam produced. Depending on water quality, a full steam cylinder blow-down is run every 3 to 8 days.

Mineral deposits settle in the open area below the electrodes and are removed through periodic maintenance. The blow-down pump itself has wide openings and can flush out smaller pieces of mineral deposit. This extends the service life of the unit and reduces the required maintenance interval.

On blow-down, water flows from the pump into the drainage system.

For maintenance purposes, the cylinder water may be pumped out by pressing and holding the control switch in the „II“ position.

Monitoring max. level

A sensor electrode (10^{*)}) monitors the maximum water capacity of the cylinder. When the water level reaches the sensor electrode, the water supply is interrupted. This can occur when the water has low conductivity or when the electrodes are worn out. In the case of low water conductivity, however, this state usually lasts only a short time. The built-in control and the large area electrodes combine to produce a rapid rise in conductivity by increasing the concentration of the water.

^{*)} numbers indicated correspond with those in the exploded view in the „Exploded view“ chapter.

5. Mechanical installation

▲ WARNING

Risk of foot injuries!

Prevent unit from dropping during installation!
Helping hand of a second person is advisable.

▲ WARNING

Risk of electrical shock!

Hazardous electrical voltage.
During installation, the unit must be disconnected from power supply.

5.1 Environment Parameters to be met and Mounting Recommendations

When selecting the installation site for the steam humidifier, take the following into account:

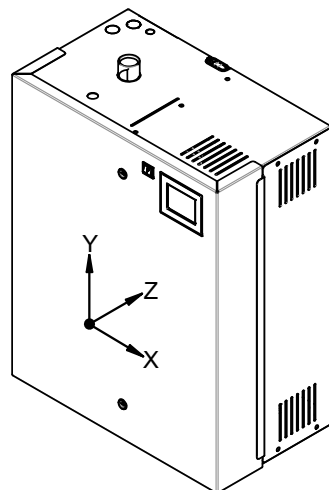
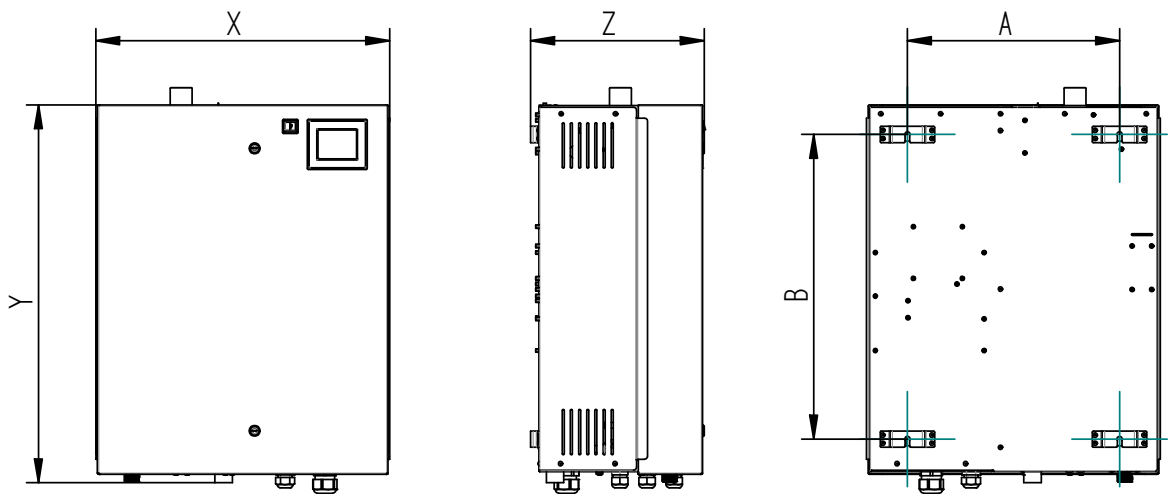
- The minimum clearances indicated in the fitting measures section must be observed in order to ensure adequate unit ventilation and allow for unobstructed access in case of maintenance
- Protection class IP20
- By design, HygroMatik steam humidifiers are not qualified for outdoor installation (electronical components and water-bearing parts may be damaged)
- Ambient temperature must lie between +5 and +40 °C (+41 and +104 °F) in order to protect the unit electronics against damage; frost may damage the steam cylinder, the solenoid valve and pump, as well as make hoses burst
- Relative humidity must not exceed 80 % r.h., since values beyond may lead to electronic malfunction or damage

- Installation in a closed room requires aeration and, eventually, temperature conditioning in order to meet the a.m. environmental conditions
- The steam humidifier should be installed as close as possible to the steam manifold. Optimum performance is only guaranteed when steam and condensate hoses are kept short
- Make use of existing water connections for supply and draining
- Hoses must be laid at a consistent 5 to 10 % incline/decline; sagging and kinking prevention is a must
- Mount the unit on a stable, preferably solid wall offering the bearing capacity required (s. unit technical specifications). If such a wall is not at hand, the unit may be attached to a stand bracket firmly bolted to the floor
- For proper functioning of the level control, plumb and level installation of the unit is required
- The steam humidifier rear panel heats up during operation to a maximum of 70 °C (158 °F). Take care that the construction on which the unit is to be mounted is not made of temperature-sensitive material

5.1.1 Dimensions and Mounting Directions

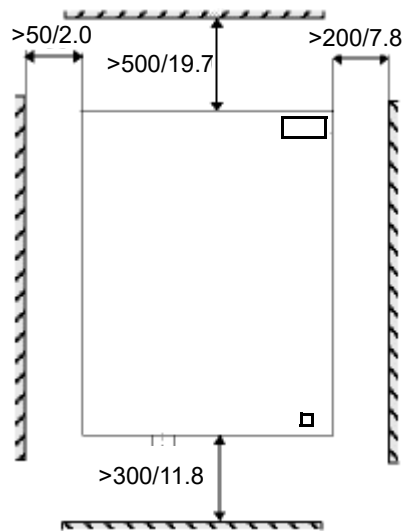
Table of dimensions

Model	X [mm/inch]	Y [mm/inch]	Z [mm/inch]	A [mm/inch]	B[mm/inch]
FLE05-FLE10	540/~21.3	535/~21	320/~12.6	390/~15.4	400/~15.7
FLE15-FLE25	540/~21.3	695/~27.4	320/~12.6	390/~15.4	560/~22
FLE30-FLE40	580/~22.8	750/~29.5	355/~14	425/~16.7	620/~24.4
FLE50-FLE65	640/~25	785/~30.9	420/~16.5	490/~19.3	650/~25.6
FLE80	1130/~43.1	750/~29.5	420/~16.5	870/~34,4	620/~24.4
FLE100-FLE130	1170/~46	785/~30.9	420/~16.5	1000/~39.4	660/~25.6



Wall clearances

When mounting the steam humidifier, the wall clearances shown in the fig. below must be obeyed:



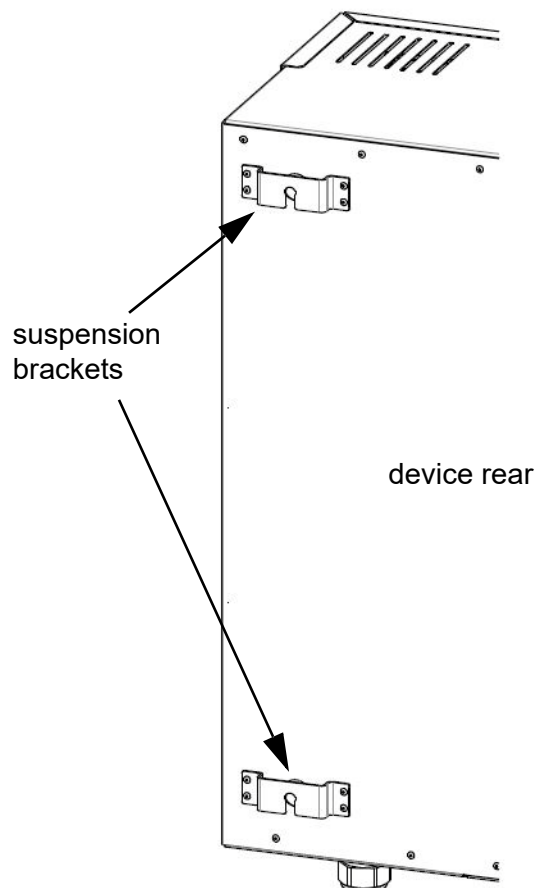
all measures in mm/inch

For wall mounting drill measures, please consult the table above (measure A). In case of no suitable wall available for mounting the unit, it is recommended that installation is made on brackets firmly anchored in the floor.

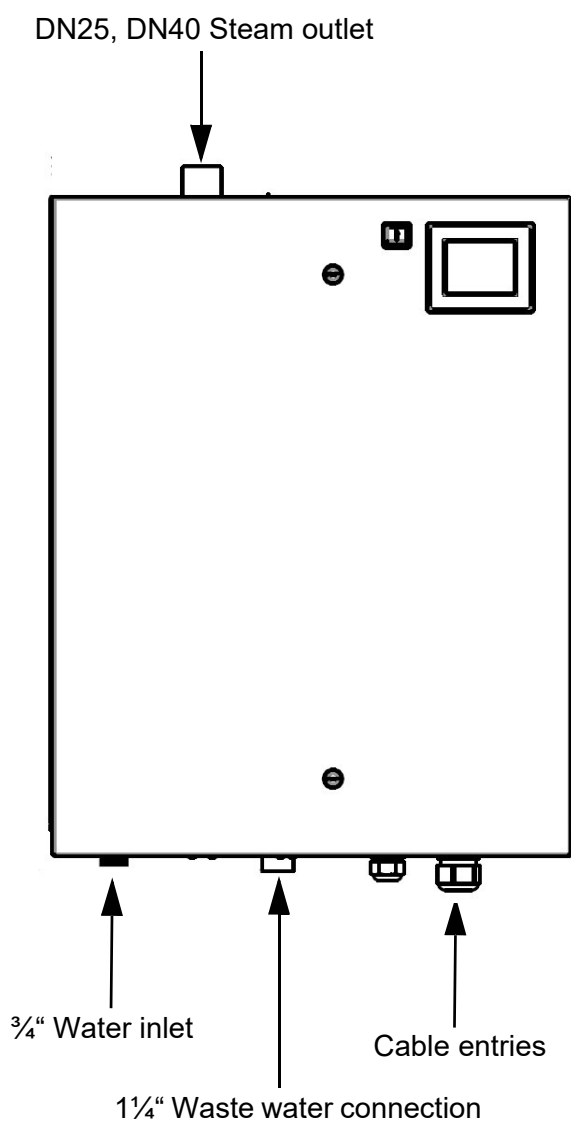
- » mark the holes for the upper suspension brackets screws
- » drill holes and dowel
- » screw in the supplied mounting screws; let the screws protrude approx. 12 mm/.5 inch from wall
- » ensure firm fixation and load-carrying capacity of the mounted screws!
- » hook in the unit and ensure safe suspension
- » mark the holes for the lower suspension brackets screws
- » remove the unit
- » drill holes and dowel
- » hook in the unit and mount the lower screws firmly

To function properly, the steam humidifier must hang level and plumb.

Mounting principle



Device connections:



5.2 Unit Installation Check

Before start-up, pls. check proper unit installation following the list below:

- Unit perpendicularly aligned in both the vertical and horizontal axis ?
- All clearances obeyed?
- Steam hose installed with a 5 - 10 % minimum incline/decline (see chapter "Steam line") ?
- Condensate hose features a loop functioning as a steam barrier (see chapter „Condensate hose“) ?
- Steam manifold(s) properly positioned?
- All bolts and clamps properly tightened?
- Steam manifold(s) horizontally mounted and suspended on the free end, if required ?
- All seals (o-rings) in place?
- All ventilation slots on housing top unobscured?

5.3 Absorption Distance B_N

The "absorption distance" (B_N) is defined as the distance from the steam feed to where the steam is completely absorbed in the treated air. Within the absorption distance, steam is visible as mist in the air stream.

Condensation may occur on anything installed within the absorption distance.

Although steam outside the absorption distance (B_N) is completely absorbed, it is not yet evenly diffused in the duct. If you plan to install any parts or devices inside the absorption distance, such as sensors or elbows, we recommend increasing the absorption distance using the formulae below. The absorption distances required for certain installed fittings are distinguished by separate symbols and calculated as a multiplier of the absorption distance B_N .

Absorption Distance	
B_N	for normal obstructions such as sensors, ventilators, outlets
$B_C = (1.5...2) \times B_N$	for fine filters, heat registers
$B_S = (2.5...3) \times B_N$	for particle filters
$B_d = (3...5) \times B_N$	for humidity sensors, duct humidistats

The absorption distance has no fixed value, but depends on many factors. These are depicted in the absorption distance nomogram below.

5.3.1 Determining the Absorption Distance

To determine the absorption distance, the following parameters are required:

- Air humidity before humidification x_1 in g/kg
- Air temperature after humidification t_2 in °C (with steam humidifiers the change in air temperature due to humidification may be disregarded t_1 or t_2)
- Specific increase in humidity Δx in g/kg (can be determined in the h,x diagram)

- quantity of steam introduced $\overset{o}{m}_D$ in kg/h.
- air speed w_L in m/s in air duct
- Total length l_D of the steam manifold installed in the air duct

Length l_D of the usable steam manifold depends on the dimensions of the air duct. The length of the absorption distance can be reduced by using multiple steam manifolds (also see section on the steam manifold).

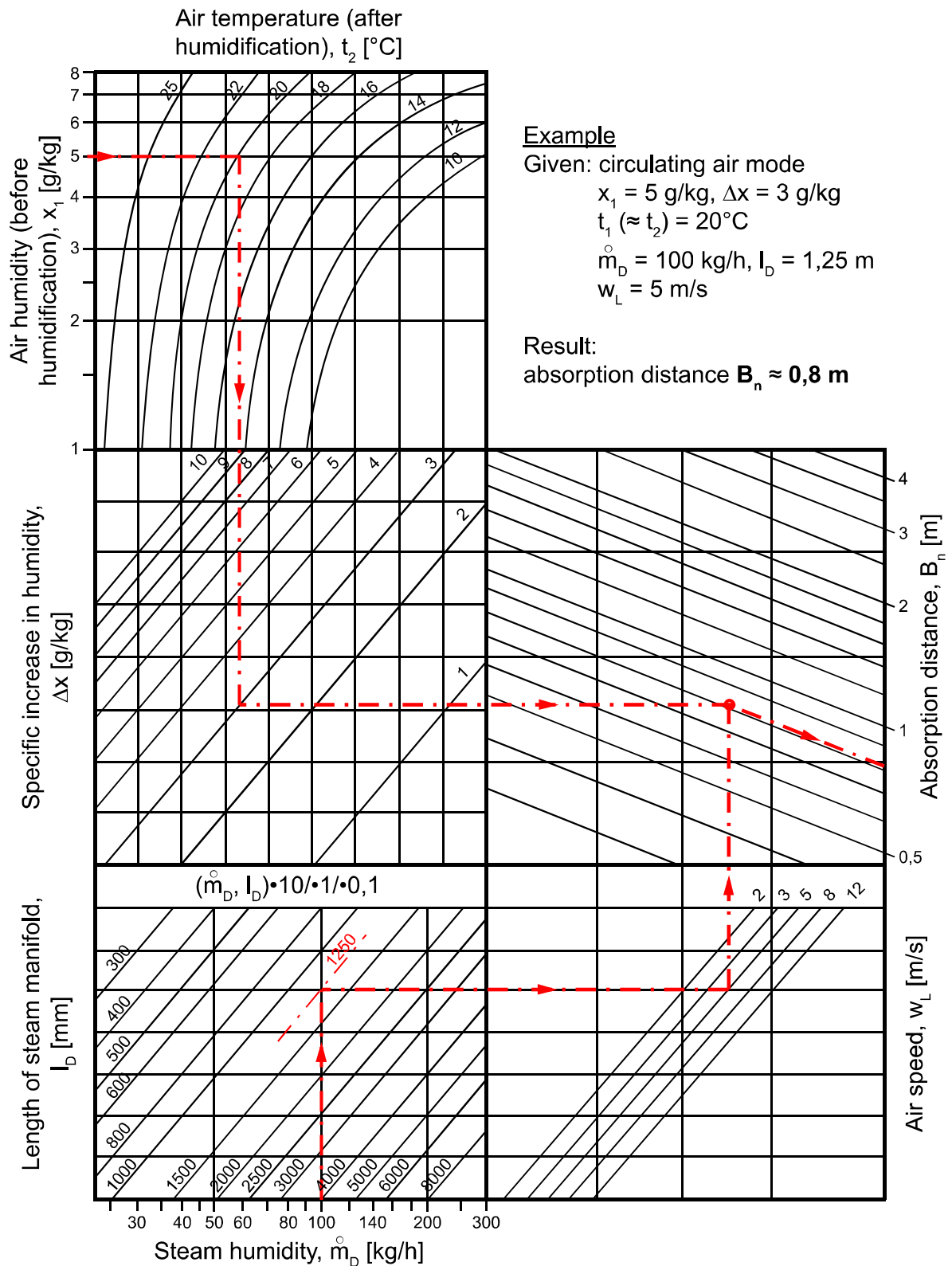
Method:

Graphically determine absorption distance B_N using the absorption distance nomogram (also see Section „Absorption Distance Nomogramm“). Enter the value of the parameters enumerated above into the respective quadrants. The resulting point of intersection indicates the value of the desired absorption distance B_N .

Notes:

- Air humidity before humidification x_1 :.....[g/kg]
- Air temperature after humidification t_2 :.....[°C]
- Specific increase in humidity Δx :.....[g/kg]
- Quantity of steam introduced $\overset{o}{m}_D$:.....[kg/h]
- Air speed w_L :.....[m/s]
- Total length of steam manifold l_D :.....[mm]

5.3.2 Absorption Distance Nomogram



Source: Henne, Erich: Luftbefeuchtung (Air Humidification), 3rd Edition 1984 (Page 101), Oldenbourg Industrieverlag, Munich

5.4 Steam Manifold

5.4.1 General installation guidelines

When installing steam manifolds, pls. follow these guidelines:

Positioning within duct

- Install the steam manifold as close as possible to the steam humidifier in order to minimize steam loss through condensation
- Steam manifold placement on the supply side of the air duct is preferable
- Install steam manifold strictly horizontal in order to ensure proper condensate drain
- Shown installation and positioning dimensions are based on empiric values. Special environmental conditions may require adjustments. Pay special attention to avoid condensate generation in air duct

Allowable pressures

- Max. allowable pressure in air duct is 1500 Pa/.218 PSI (exemption: SLE02 only allows for 1200 Pa/.174 PSI)
- On suction side, max. -500 Pa (.07 PSI) is tolerable
- With high-pressure air conditioning systems, modifications of the unit's drain hose system may possibly be required depending on the overall pressure situation. These modifications must be **coordinated with your expert dealer.**

Water drain

- We point out that according to the German Association of engineers (VDI) guideline VDI 6022, a water drain must be provided within the absorption distance inside the air duct

When increased airflow speed is encountered

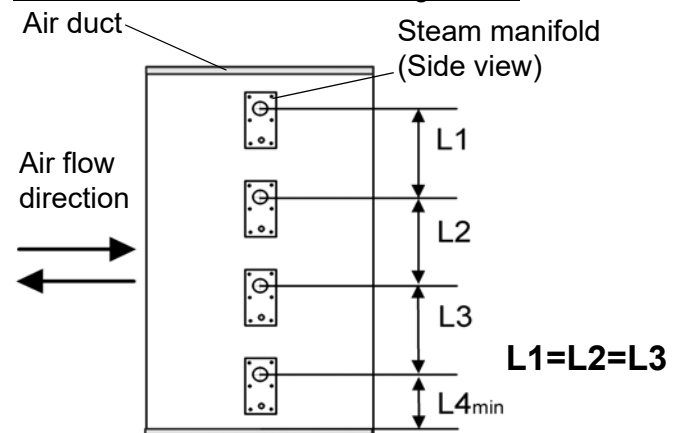
- Air flow rates beyond 3m/s (9.84 ft/s) may lead to condensate drainage problems at the steam manifolds due to vacuum built-up. A possible remedy is twisting the steam manifold in its horizontal axis by few angular degrees. In case of problems, pls. consult your expert dealer.

5.4.2 Recommendations for dimensioning

The recommendations given below are based on homogenous air flow in the duct.

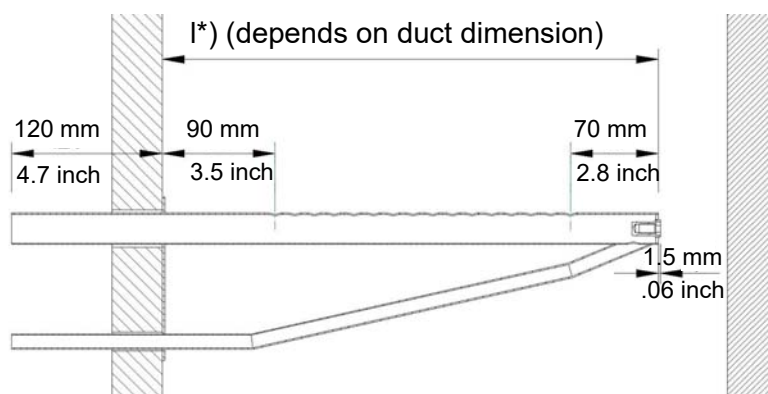
Horizontal installation of steam manifold

Standard steam manifold arrangement:

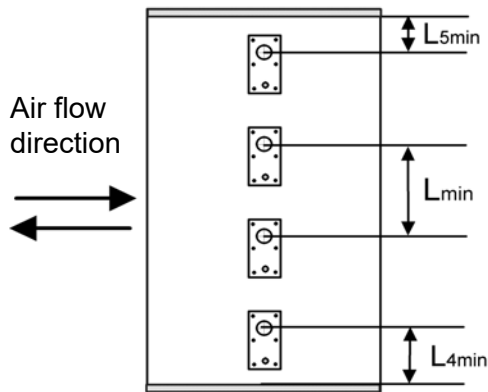


An even distribution of steam manifolds ensures a uniform steam distribution.

Please use the total height of the duct!



*) s. table of manifold lengths **Horizontal assembly position in duct**



Minimum distance for condensation avoidance:

$L_{min} = 210mm/8.3 \text{ inch}$: „Steam manifold - Next steam manifold“ distance

$L_{4min} = 120mm/4.7 \text{ inch}$: „Lowest steam manifold - Duct bottom plane“ distance

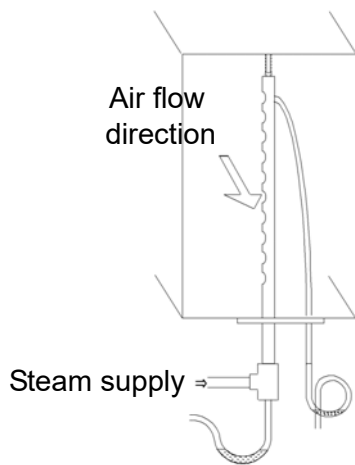
$L_{5min} = 120mm/4.7 \text{ inch}$: „Highest steam manifold - Duct ceiling plane“ distance

Steam manifold arrangement for special air duct shapings

flat	steam manifold laterally staggered (with respect to air flow direction) in case of L_{min} (s. above) not to be met	<p>Air flow direction</p>																
very flat	<p>by tilting the steam manifold 30 - 45° towards the air flow direction, the minimum upper clearance can be reduced to 70 mm/2.8 inch.</p> <table border="1" data-bbox="376 1422 906 1624"> <thead> <tr> <th>Min[mm/inch]</th> <th colspan="2">H1</th> <th>H2</th> </tr> <tr> <td></td> <th>30°</th> <th>45°</th> <td></td> </tr> </thead> <tbody> <tr> <td>DN25/1"</td> <td>182/7.2</td> <td>168/6.6</td> <td>225/8.6</td> </tr> <tr> <td>DN40/1 1/2"</td> <td>193/7.6</td> <td>179/7.2</td> <td>230/9.1</td> </tr> </tbody> </table>	Min[mm/inch]	H1		H2		30°	45°		DN25/1"	182/7.2	168/6.6	225/8.6	DN40/1 1/2"	193/7.6	179/7.2	230/9.1	<p>narrow channel</p> <p>Air flow direction</p>
Min[mm/inch]	H1		H2															
	30°	45°																
DN25/1"	182/7.2	168/6.6	225/8.6															
DN40/1 1/2"	193/7.6	179/7.2	230/9.1															
narrow, high	identical lengths one on top of the other, staggered laterally if possible																	
square	identical lengths, staggered vertically and laterally																	
low, very wide	facing each other																	

Vertical steam manifold installation

Steam manifold arrangement



Horizontal installation of the steam manifolds is preferable. However, vertical installation into the air duct from below is also possible.

Standard manifold dimensions [mm]/ [inch]:**

220/	400/	600/	900/	1200/	1450****/
8.7	15.7	23.6	35.4	47.2	57.1

*** Special lengths on demand.

**** will be replaced in 2019 by 1500 mm / 59,1 inch long steam distributors

Number and size of the steam manifolds available as well as the nominal diameter of the respective steam and condensate hoses may be taken from the tables shown in chapter „Technical Data“.

5.5 Steam line and condensate hose layout

Please note

Because of the high requirements on hose material under the operating conditions given, it is recommended to use genuine HygroMatik hoses only.

5.5.1 Guide lines for steam line design

- Steam hose nominal diameter must not be smaller than the steam outlet of the HygroMatik steam humidifier (do not restrict the cross-section, otherwise back pressure will increase)
- Steam hoses must be laid without sags and kinks and with a continuous slope of 5-10% (otherwise sags may result).
- Steam hoses must be supported every 500 mm (20 inches) by clamp brackets
- Steam hoses should be kept as short as possible. Implement lengths beyond 5 m (16 ft.) as insulated fixed piping to keep energy loss and condensate generation to a minimum. Beyond 10 m (32 ft.) insulated installation is a must. Fixed piping is generally recommended for straight steam line segments
- When 2 steam manifolds are in use (other than with a standard implementation), place steam Y piece as close as possible to the steam manifolds. Such, for the main part of the piping just one steam hose is required and condensate loss is minimized
- Allow easy access to the steam pipe/ steam hose installation
- Pressure conditions within the duct are influenced by device steam output, steam line layout and the duct composition itself. In some rare situations it may become necessary to optimize steam line layout for achieving the results intended
- Respect minimum bending radii:

DN 25 Steam hose: Rmin = 200 mm/8"
 DN 40 Steam hose: Rmin = 400 mm/16"

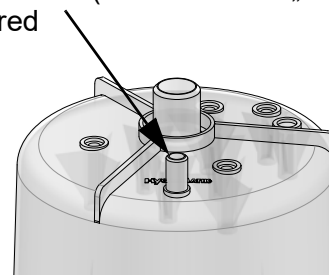
5.5.2 Condensate hose layout

The condensate hose may be run from the steam manifold back to the steam cylinder, as depicted in the schematic drawing below with concern to installation type 1. Alternatively, the condensate hose may be fed directly in a wastewater pipe or a drain (s. installation type 2).

Please note

Should condensate return into the steam cylinder be intended, the connection stub on the cylinder upper part must be drilled out first with a ANSI drill size „O“ drill. To do so, the steam cylinder must be removed from the housing (s. maintenance chapter, section „Steam cylinder removal and reinstallation“).

Drill out condensate hose connection stub with an 8 mm (ANSI drill size „O“) drill, if required



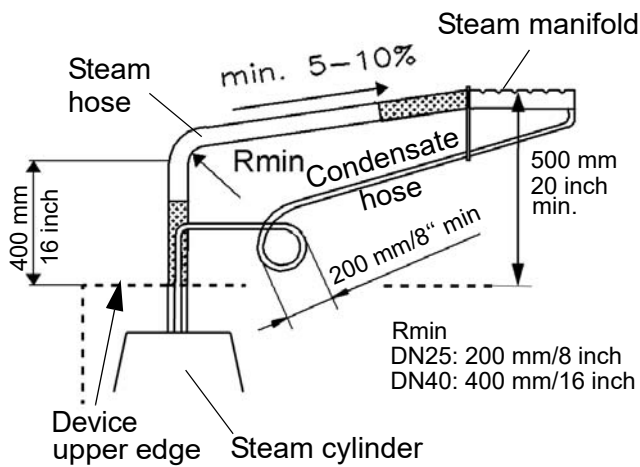
Steam cylinder top view

5.5.3 Steam line and condensate hose installation types

Installation type 1

Steam manifold is positioned more than 500 mm above device upper edge:

- » Run steam hose to a height of 400 mm/16 inch minimum above the steam humidifier and then to the steam manifold with a continuous incline of 5 to 10 %.
- » Feed condensate hose from steam manifold with a decline into waste-water pipe or drain.
- » As a steam barrier, lay out a 200 mm/8 inch min. loop (s. schematic representation below). Minimum distance from steam manifold to loop must be 500 mm/20 inch. Fill loop with water prior to steam humidifier commissioning.



Installation type 1, schematic representation

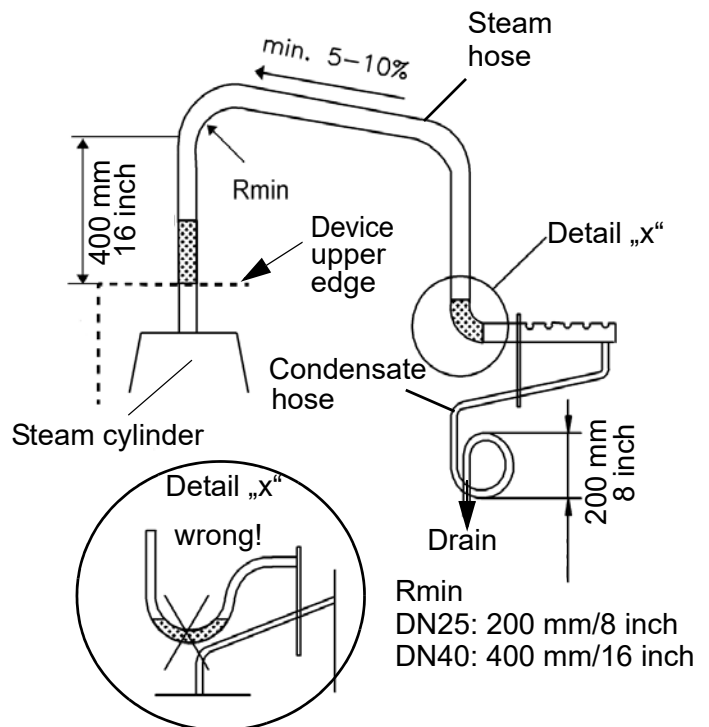
Installation type 2

Steam manifold is positioned less than 500 mm above or below device upper edge:

Please note

In this arrangement the condensate hose cannot be fed back to the steam humidifier.

- » Run steam hose to a height of 400 mm/16 mm minimum above the steam humidifier and then to the steam manifold with a continuous decline of 5 to 10 %.
- » Feed condensate hose to a waste-water pipe/drain with a 200 mm/8 inch diameter loop as a steam barrier. Minimum distance from steam manifold to loop must be 500 mm/20 inch. Fill loop with water.



Installation type 2, schematic representation

6. Water connection

▲WARNING

Risk of scalding!

Very hot water to be found in and around the steam humidifier during and after operation.

Have all installation work done by expert staff in order to avoid scalding hazards due to improper water guidance.

▲WARNING

Risk of electrical shock!

Hazardous electrical high voltage!
Before starting installation work ensure that the unit is not yet connected to the power supply.

General Rules

- Obey local water utility regulations
- Verify that necessary safety measures have been taken – in compliance with either German Technical and Scientific Association for Gas and Water (DVGW) guidelines (DIN EN1717) or local regulations – to eliminate backflow of polluted water into drinking water treatment facilities. This may require the installation of a system separator and free discharge into the drainage system. Within the humidifier, a double check valve (58) is located in the water supply line. It prevents - in accordance with DIN EN 61770 - the backflow of water. As an option for installation by the customer, the DVGW-conform **HyFlow** system separator or a after market system separator of the BA/CA type are available from HygroMatik.
- Use feed water without chemical additives and with a conductivity between 200 and 800 $\mu\text{S}/\text{cm}$ only. Beyond conductivity levels of 800 $\mu\text{S}/\text{cm}$ up to a maximum of 1250 $\mu\text{S}/\text{cm}$ and below conductivity levels of 200 $\mu\text{S}/\text{cm}$ to a minimum of 125 $\mu\text{S}/\text{cm}$, special adjustments are required. In this case please contact your specialist dealer

- Supply water must not exceed 40 °C (104 °F)
- Allowable range of water pressure: 100000 to 1000000 Pa (14.5 to 145 psi)
- For connection to the water supply pipe, make use of a water hose
- Blow-down water must drain freely

6.1 Operation with softened water

NOTICE

Do not use softened water unless special measures are taken!

When feeding softened water into the Hygro-matik steam humidifier, the aspects outlined below must be taken into account.

Softened water may cause

- unacceptably high conductivity
- the formation of salt bridges between the electrodes and the electrode leads on the inner surface of the steam cylinder upper part
- foaming in the steam cylinder

Salt bridges may cause electrical arcs. These are indicated by the presence of black grooves in the top part of the cylinder. The cylinder must then be replaced to prevent further damage to the cylinder material, as well as short circuits which may trip main circuit breaker.

Foam may come into contact with the maximum level sensor electrode and trigger the max. level status message despite the cylinder not being full yet and the nominal current not yet established.

With softened water, at operating temperature conductivity level usually is higher than is the case with tap water.

If using a water softening system, we recommend diluting the softened water with normal tap water to produce an overall **hardness between 4-8°gH**. This value can be set lower if the water does not foam.

6.2 Water supply

NOTICE

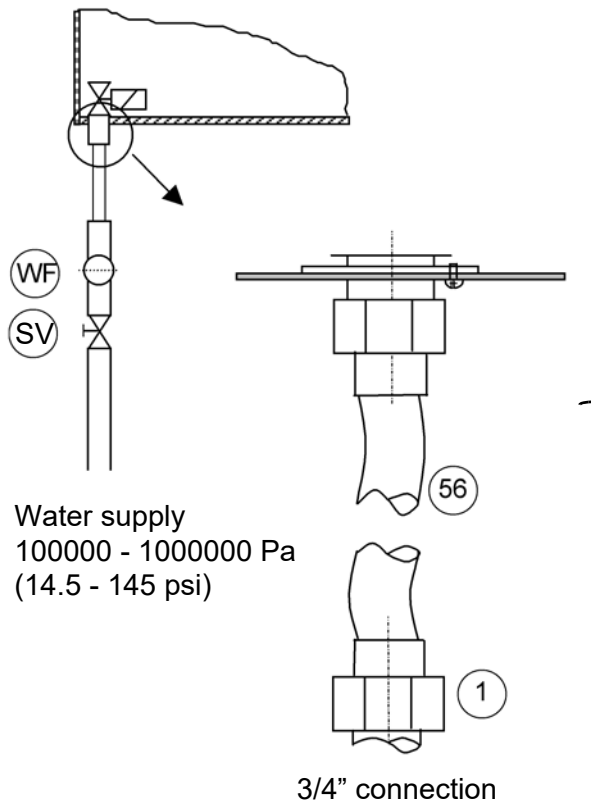
Foreign material in water supply pipe may cause premature wear of the solenoid valve.

Flush the water supply pipe before making connection to the solenoid valve. This is of particular importance in case of a newly installed pipe.

- » Install a shut-off valve (AV) in the supply line.
- » Install a water filter (WF) if required due to bad water quality.

Please note

In case of no safety device for drinking water protection according to DIN EN 1717 present in the house installation system, a system separator at least of the CA type or use of the Hyflow retrofit option is mandatory.



Please note

Shut-off valve (SV) and water filter (WF) are not included in the delivery.

For connection to the water supply line, the water hose (56) with cap nuts on both ends supplied with the unit may be used.

Make connection as follows:

- » Attach cap nut with inner seal ring to inlet screw joint on the humidifier housing and tighten.

NOTICE

Do not overtighten the cap nut!

Excessive tightening will destroy the fitting.

Please note

Strainer must be placed inside the solenoid valve.

- » Screw the other hose end cap nut with its inner seal on a customer-provided water tap (cap nut internal thread is 3/4").

6.3 Water discharge

▲WARNING

Risk of scalding!

During blow down up to 0.3 l/sec (.08 gal./sec) are being drained with a temperature of about 95 °C (203 °F).

Ensure that the drain hose is reliably fastened and wastewater can drain freely and pressureless.

Please note

Humidifier installation location and wastewater discharge must be on the same pressure level.

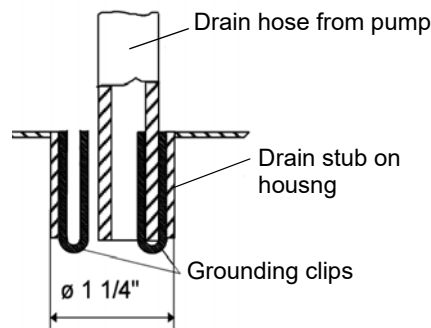
Guidelines for water discharge composition

- Use flexible water hose
- Do not buckle drain hose
- Discharge line and drain pipe material must be temperature resistant up to 95°C (203 °F)

How to proceed

- » Run a 1 1/4 " drain hose of 250 to 1000 mm (10 to 40 inch) length into a pressure-free outlet according to DIN EN 1717. The hose must be guided sideways of the humidifier to prevent ascending vapor from condensing on the humidifier's housing.
- » Fit drain hose to connection stub on humidifier housing bottom side.

Grounding clip functioning



The two grounding clips attached to the inner surface of the housing drain stub are in direct contact with water and shunt potential residual electric currents away from the housing during blow-down and in case of a cylinder water overflow.

Between the pump drain hose jacket and the inner surface of the cabinet drain connection, a gap exists due to the diverging diameters. If water collects on the base plate, it will flow through this gap into the drain hose and then into the drainage system.

Please note

With the optional wastewater cooling system **HyCool**, HygroMatik offers an option for limiting the steam humidifier wastewater temperature in order to protect thermosensitive wastewater pipe lines. By blending with tap water during blow-down and rinse processes, wastewater temperature is below 60 °C (140 °F) as long as inlet water temperature does not exceed 30 °C (86 °F).

6.4 Water connections final check

Go down the following water installation checklist:

- All screws and clamps properly tightened?
- Water supply line flushed before making connections?
- Water connection properly installed?
- Water discharge properly installed?
- Does blow-down water drain freely?
- Water supply line and water discharge leakage-free?

7. Electrical connection

⚠ WARNING

Risk of electrical shock!

Hazardous electrical voltage.

All work related to electrical installation to be performed by expert staff (electricians or expert personnel with equivalent training) only.

Do not connect the steam humidifier to the live power supply before all installation work has been completed.

Please note

The customer is responsible for checking expert staff qualification.

General installation rules

- All local rules concerning the implementation of electrical installations must be obeyed
- Electric connector cables to be laid professionally
- Install the electrical connections according to the wiring diagram
- With units of a nominal power output > 33 kW electrical connection to a permanent line is mandatory (according to VDE 0700 Part 98, IEC 60335-2-98)

NOTICE

Possible electronical components destruction through electrostatical discharge!

Prior to commencing electrical installation work, steps must be taken to guard the sensitive electronical components of the unit control against damage from electrostatical discharge.

7.1 Electrical installation approach

- » Provide fuses with a contact gap of at least 3mm per pole.
- » Install a separate main connection for each steam cylinder including main circuit breaker, main switch etc. .
- » Make main connection according to the table below.

Main connection and Fusing

For the FlexLine steam humidifiers FLE05 - FLE130 (version AA10) main connection is to be implemented as follows:

380-415 VAC/3/50-60 Hz

Other operating voltages on request.

Please note

HygroMatik recommends the use of slow blowing up to middle time-lag main fuses (only applies to the a.m. mains supply voltage).

Steam humidifier installations should incorporate an individual resilient current circuit breaker.

Maximum current draw of the FlexLine standard models and the required fusing resulting from that can be taken from the table below.

Model	Current draw [A]	Fusing [A]
FLE05	5.4	3 x 10
FLE10	10.8	3 x 16
FLE15	16.3	3 x 20
FLE20	21.7	3 x 25
FLE25	27.2	3 x 32 (35)
FLE30	32.5	3 x 40
FLE40	43.5	3 x 50
FLE50	54.5	3 x 63
FLE65	70.4	3 x 80
FLE80	2 x 43.5	6 x 50
FLE100	2 x 54.5	6 x 63
FLE130	2 x 70.4	6 x 80

7.2 Cable connections

The table below shows the number and dimensioning of the cable connections provided by the various FlexLine housing types.

Model	M25	M25 with MSI*)	M32	M40	Blind plug**)
FLE05/10	1			3	3
FLE15/20 FLE25	1			3	3
FLE30/40	1	1		3	3
FLE50/65	1		1	3	3
FLE80	1	2		3	3
FLE100/ 130	1		2	3	3

*) Multiple seal insert

**) Ø 25 mm/~ 1.0 inch

Characteristics of metric cable connections

Thread	Wrench size [mm/in.]	Cable diameter supported [mm/in.]
M25x1.5	30/~ 1.2	9 - 17/~ .35 - .67
M25 MSI*)	30/~ 1.2	6 (3x)/~ .24 (3x)
M32x1.5	36/~ 1.4	13 - 21/~ .51 - .83
M40x1.5	46/~ 1.6	16 - 28/~ .63 - 1.1

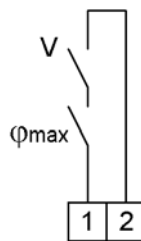
7.3 Safety interlock

⚠ WARNING

Risk of electrical shock!

Hazardous electrical voltage!
When standard wiring was made, terminal 1 shows 230 VAC after commissioning.

Across terminal 1 and 2 the so-called safety interlock is wired. This wiring allows for integration of safety devices. In case of an open safety interlock the steam humidifier does not operate.



**Safety interlock terminals
1/2 on main PCB**

Please note

Factory setting leaves the safety interlock open!

Install contact interlocks, e.g. a max. hygrosat, vane relays, pressure controllers, air interlock devices etc. in series across terminal 1 and 2.

NOTICE

Contacts across terminals 1 and 2 must be potential free and properly rated!

Rating must comply with the control voltage in use.

Best practice implies the integration of a max. hygrosat in the safety interlock wiring to protect against over-humidification due to a r.h. sensor malfunction.

7.4 Connection diagrams

Pls. find full wiring diagrams in the FlexLine control manuals.

7.5 Electrical installation check list

Check electrical installation with respect to customer-site requirements and local power supply regulations.

- Safety interlock properly wired across terminals 1 and 2?
- Supply voltage in accordance with name plate voltage rating?
- All electrical connections made according to the wiring diagram?
- Is the sensor (temperature sensor or r.h. sensor, depending on the application scenario) properly connected to the main p.c.b. (make sure that the input selected is adequate for the type of sensor installed with respect to the signal type and range specified) ?
- All screw terminal connections properly tightened?
- Have all electrical cable and plug connections been properly tightened?
- Proper unit grounding made?

8. Commissioning

▲WARNING

Risk of operating error!

Start-up of the unit is restricted to expert staff only (electricians or expert personnel with equivalent training).


Step 1: Check of mechanical integrity and wiring

- » Open housing cover.
- » Check cylinder seating.
- » Check steam, condensate and drainhose clamps.
- » Check that all electrical wire connections (including steam cylinder wiring) are tight and secure.

Step 2: Switching on the steam humidifier

- » Switch on main breaker.
- » Open water supply stopcock (operating pressure should be 1bar min., 10bar max.).
- » Switch on unit by setting control switch to "I".

Step 3: The unit performs a self-test and, then, commences normal operation

- During self-test, the On/Off button icon  flashes for a couple of seconds
- After the self-test of the controller, the display shows the setup view for the basic device settings (language, date, time and control settings). Refer to the chapter "Commissioning" in the operating instructions for the control system.
- Consequently, normal operation is commenced. However, steam is not produced without a demand pending

Step 4: Trigger steam demand

- » Set control to 1-step operation, i.e. permanent steam demand, and close safety interlock.
- » Allow all electrical functions to terminate in their programmed order.

Step 5: Monitor unit function and check for leakage

- » Let unit operate for 15 to 30 minutes.
- » If leaks appear, switch off the unit.

▲WARNING

Risk of electrical shock!

Hazardous electrical voltage!

Follow safety instructions for work on live components.

Step 6: Repair leaks

- » Find leaks and eliminate.
- » Check again for leaks.
- » When everything is o.k., reattach housing cover.

9. Maintenance


9.1 General

For the achievement of a long unit life span, regular maintenance is a must. Maintenance works to be performed refer to unit assemblies that underlie either mechanical or electrical wear and tear, or may be impeded by residues in their proper functioning.

A steam humidifier's optimal performance and the maintenance intervals required primarily depend on the water quality encountered and the amount of steam produced. A particular water quality may shorten or lengthen maintenance intervals. The amount of residues found in the steam cylinder allows for a hint on future maintenance intervals.

Another scenario influencing the unrestricted unit availability is the main contactor lifetime in terms of a maximum number of switch cycles allowed, as indicated by its manufacturer. Unit control monitors the number of switch cycles and produces a service message when the max. number is reached.

9.1.1 Service messages

In case of a service message produced, the HygroMatik logo in the main section of the touch display (for explanation s. „FlexLine controls“ manuals) is blanked. Instead, a frame is shown with the service icon  in it and a „Service message (xx)“ („xx“ indexes the message code). When the message frame is touched, the service message is displayed in clear language.

The service messages are listed in detail in the „FlexLine controls“ manuals. Following hereafter, pls. find 2 service messages denoted as examples:

- „*Steam_amount_counter*“ is output when the pre-set produced steam amount is reached
- „*Cycles_main_contactor x*“ is indicated when the number of cycles pre-set for main contactor „x“ (x = 1...5) is reached. The main contactor should then be replaced and the counter reset (s. „Service“ submenu in the „FlexLine controls“ manuals).

After a „*Steam_amount_counter*“ message, maintenance work mainly encompasses checking and cleaning all of the unit parts including the steam cylinder inside, and a unit test run. Steam humidifier electrodes are prone to burn-off during steam production and must, consequently, be replaced in a regular time frame.

As part of the maintenance work, screw terminals and plug connections must be checked every time. If required, retightening the terminal screws is a must as well as ensuring tight fit of all of the plug connections.

Since steam and condensate hoses are subject to wear as well, hoses must also be checked regularly for tightness, flexibility and firm seating.

Seals are wear parts. As such, seal integrity checks and replacement is also a part of the regular maintenance work.

9.1.2 Service messages for preventive maintenance

HygroMatik steam humidifiers continuously monitor the performance of the following functional areas:

- Electrode condition (wear control by means of cylinder full monitoring)
- Blow-down operations
- Cylinder filling

When reaching pre-set trigger levels, unit control outputs preventive service messages that relate to the corresponding functional area.

The functional area addressed should then be checked at short term and maintained, if required (s. „FlexLine controls“ manuals, „Faults and service messages“ chapter“).

9.1.3 Safety instructions for maintenance

▲WARNING**Risk of electrical shock!**

Hazardous electrical voltage. Unit must be switched off and protected against restart by expert staff (electricians or expert personnel with equivalent training) before any maintenance work is commenced.

▲WARNING**Risk of skin burning!**

Hot steam cylinder during operation and for some time afterwards.

Drain steam cylinder before any maintenance work is commenced. After that, wait approx. 10 mins before starting maintenance work.

Check steam cylinder temperature by cautious approximation with hand (do not touch!).

▲WARNING**Risk of scalding!**

Water pumped or drained from the steam cylinder may have a temperature of up to 95 °C (203 °F).

Wear proper PPE (Personal Protection Equipment)!

NOTICE**Take care of ESD protection!**

The electronic components of the humidifier control are very sensitive to electrostatic discharges. In order to protect these components during maintenance, steps must be taken to guard against damage from electrostatic discharge.

9.2 Maintenance frame work

Mineral deposits precipitate and crystallize very differently in different types of water, even when two types have the same conductivity and hardness levels (the various constituents in the water interact differently).

Instructions on maintenance and cleaning intervals, or on electrode service life, are based entirely on empirical data.

In most cases, the conductivity levels given in the "Directions for Use" section of this manual may be considered as typical values. Individual parameter settings as part of the control software may be necessary.

Very seldomly, water pretreatment may be necessary (softening by dilution to approx. 4 - 8 °gH; decarbonization/partial desalination to achieve target reductions in carbonate hardness).

For any questions with regard to water treatment systems pls. contact your expert dealer.

Cycle time	Maintenance work
4 weeks after commissioning (with normal water quality)	Visual inspection of electrical and mechanical connections Remove mineral deposits from steam cylinder, water drain hose and blow-down pump Check electrodes for burn-off Re-tighten electrode hand nuts and all screw terminals
semiannually (with Normal Tap water quality (please refer to chapter 1.4 „Intended use“) and “normal“ operation, i.e. 8 hours per day)	Visual inspection of electrical and mechanical connections Remove mineral deposits from steam cylinder, water drain hose and blow-down pump. Check electrodes for burn-off and replace, if required. Re-tighten electrode hand nuts and all screw terminals

9.3 Removal and reinstallation of the steam cylinder

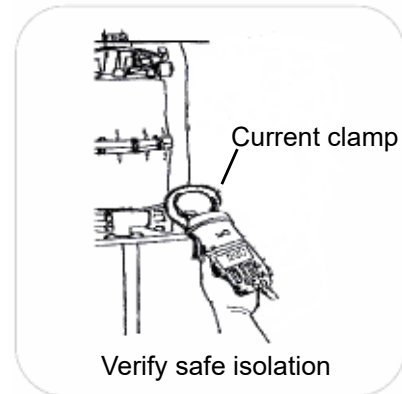
⚠ CAUTION

Risk of eye injuries!

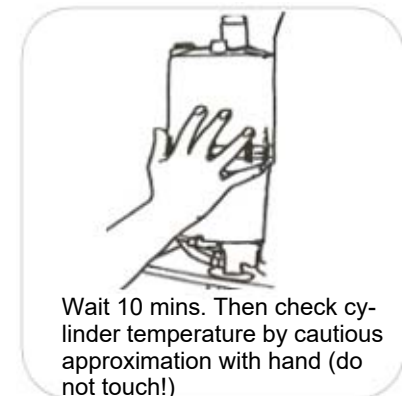
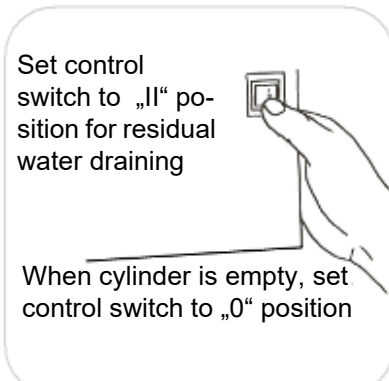
The clips that fix the steam cylinder halves have sharp edges and can jump off during dismantling.

Eye injuries are possible.

Wear proper PPE (Personal Protection Equipment)!



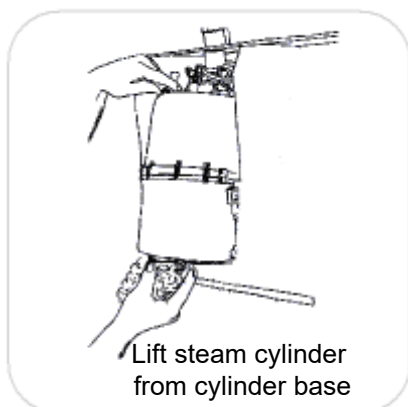
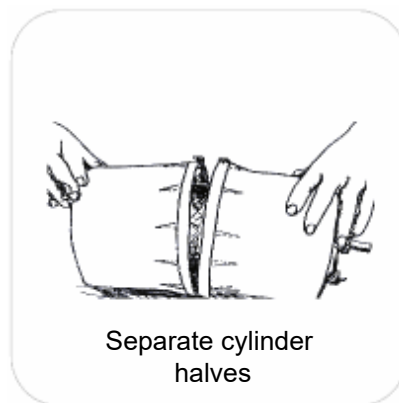
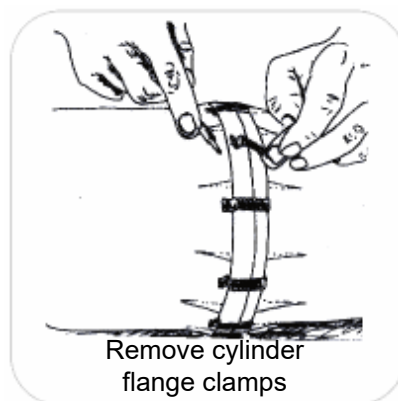
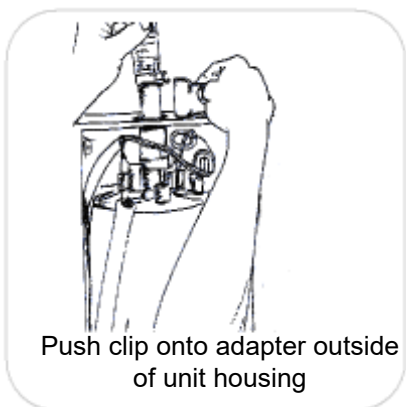
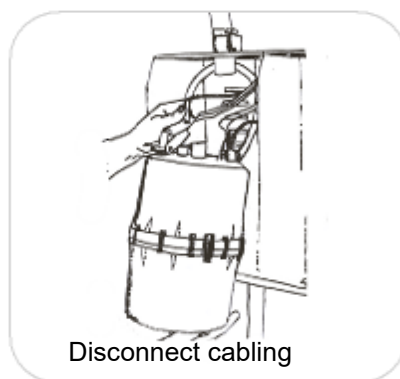
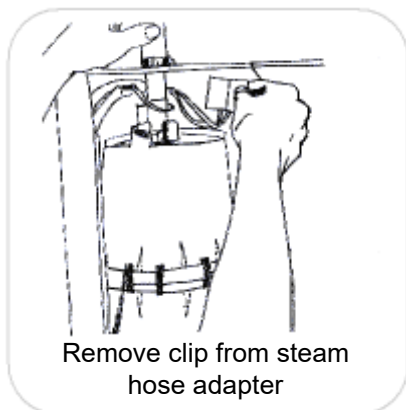
Steam cylinder removal



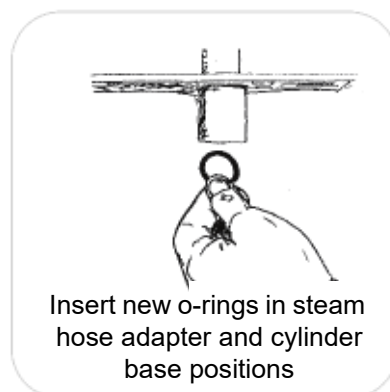
» Remove unit housing cover

- » Remove SuperFlush solenoid hose from cylinder bottom (if applicable).
- » Remove steam hose from steam hose adapter.

If the steam hose is not to be disconnected, the steam hose adapter with the steam hose still attached may be detached from the steamcylinder as shown in the next figure.

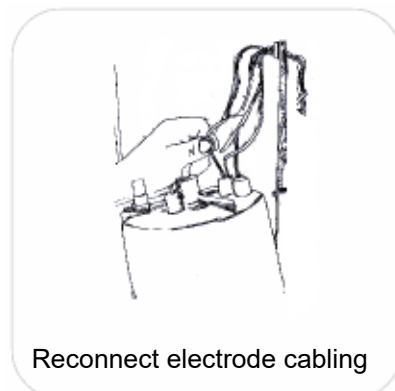
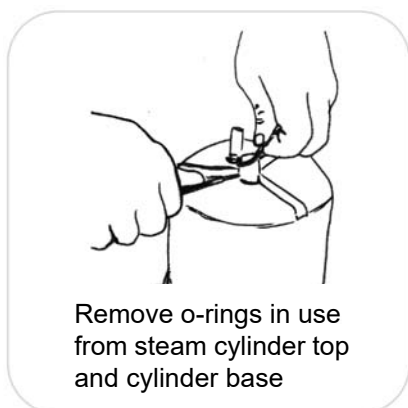
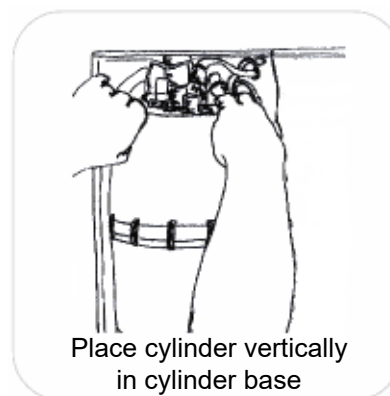


Reinstallation



Please note

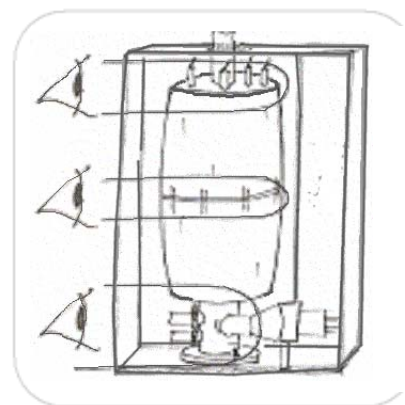
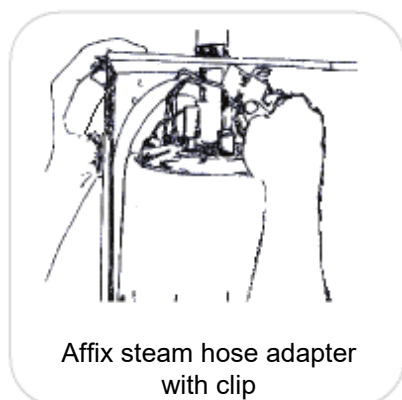
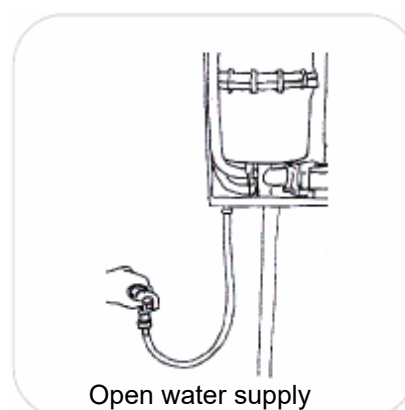
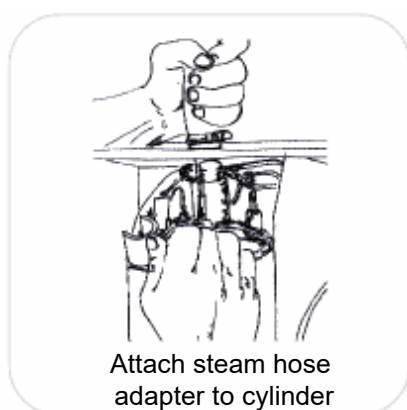
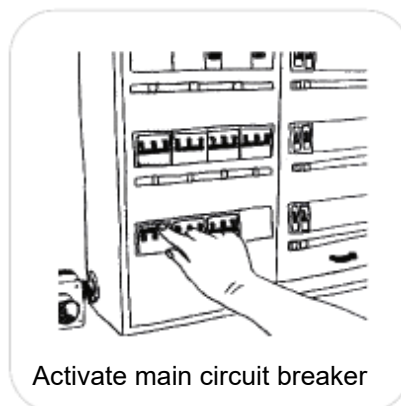
When re-assembling the cylinder, brackets and reinforcement joints of the two cylinder parts must be aligned.



Please note

The electrode connections must not show any signs of corrosion. Replace plugs, if required. Plugs must sit firmly on the electrode pins and must be pushed down as far as they will go.

- » Reattach SuperFlush solenoid hose (if applicable) to steam cylinder bottom stub.



- » Reattach unit housing cover

9.4 Steam cylinder, electrodes and cylinder base cleaning

For cleaning, mechanical removal of the deposits is usually sufficient.

NOTICE

Risk of functional disruption!

When using acids or other chemicals for cleaning, thoroughly flushing and rinsing is essential otherwise cylinder water conductivity may be impaired.

Steam cylinder cleaning



- » Check the inside of the top part of steam cylinder for crust build-up and possible salt bridges (black grooves between the electrode leads). If present, wash away/scrape off completely.

Please note

If electrical arcs have burned deep grooves into the material, the complete cylinder must be replaced.

Electrode cleaning

- » Clean the sensor electrode until metallically bright.
- » Clean electrodes and check electrode wear (s. „Changing electrodes“ section).

Cylinder base cleaning

- » Just as the cylinder, the cylinder base and its connection joints must be checked for deposits and be cleaned, if required.

Reinstallation of the steam cylinder is to be performed as described in the „Cylinder removal and reinstallation“ section.

9.5 Checking cable connections

NOTICE

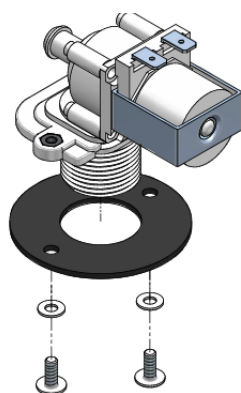
Risk of functional disruption!

Risk of material damage!

Loose cable connections may result in increased transition resistance and contact area overheating.

- » Check all cabling screw terminals and plugs for tight seating. Plugs must sit on their respective contacts as far as they will go.
- » Check electrode plugs for corrosion. Replace, if stained.

9.6 Solenoid valve removal/reinstallation and fine filter cleaning



Solenoid valve

Removal

- » Shut off water supply and disconnect tap water hose cap screw connection.
- » Remove connecting hose (20) from cylinder base.
- » Detach electrical cable connector from solenoid valve (25).
- » Unscrew solenoid valve mounting screws.
- » Remove solenoid valve from housing bore.

Fine filter cleaning

- » Remove fine filter from solenoid valve tap water connection side and clean under running water.

Reinstallation

- » Reinsert fine filter into solenoid valve.
- » Reinsert solenoid valve with seal in unit housing bore.
- » Bolt-down solenoid valve.
- » Reestablish tap water connection.
- » Reconnect electrical cable to solenoid valve.

- » Reattach connecting hose (20) to cylinder base using clamp.
- » Turn on water tap.
- » Switch on unit and check for leakages after 15 to 30 mins of operation.

⚠ WARNING

Risk of electrical shock!

Hazardous electrical voltage!

Follow safety instruction for work on live components.

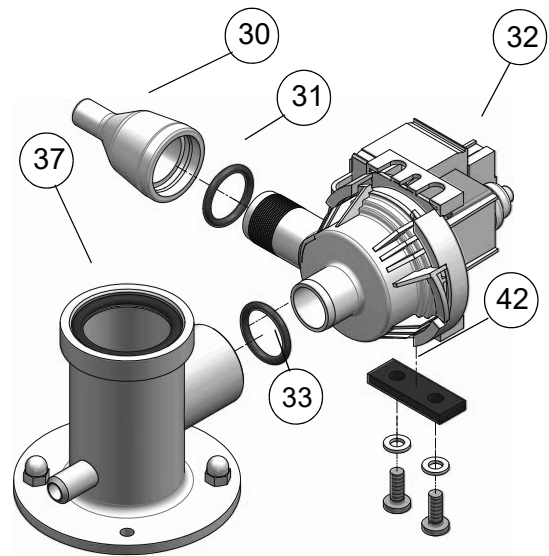
Leakages may invoke leak currents.

- » In case of leakage turn off power supply and secure against being switched on again.
- » Find leakage and eliminate.
- » Check again.

9.7 Cleaning of blow-down pump

Removal and cleaning

- » Remove steam cylinder as described in „Removal and reinstallation of steam cylinder“ section.
- » Detach adapter (30) from pump (32).
- » Detach electrical cable from pump.
- » Unscrew mounting screws from housing bottom plate (safe vibration buffer, bolts and washers for reinstallation) and pull pump out of cylinder base (37).
- » Open pump bayonet lock.
- » Remove residues from pump and drain hoses (replace O-ring if required).



Blow-down pump

Reinstallation

- » Moisten O-ring (33) and insert into cylinder base (37) horizontal stub.
- » Push pump back into cylinder base and bolt to bottom plate incorporating the vibration buffer and washers saved during removal.
- » Moisten O-ring (31) and insert into adapter.
- » Slide adapter (30) onto pump stub.
- » Refit electrical cable to pump connector (no polarisation).
- » Let unit run for 15 to 30 mins, then check for leakages.

⚠ WARNING

Risk of electrical shock!

Hazardous electrical voltage!

Follow safety instructions for work on live components.

Leakages may invoke leak currents.

- » In case of leakage turn off power supply and secure against being switched on again.
- » Find leakage and eliminate.
- » Check again.

9.8 Inspection of hoses

Since steam and condensate hoses are prone to wear as well, those hoses should undergo regular checks as well.

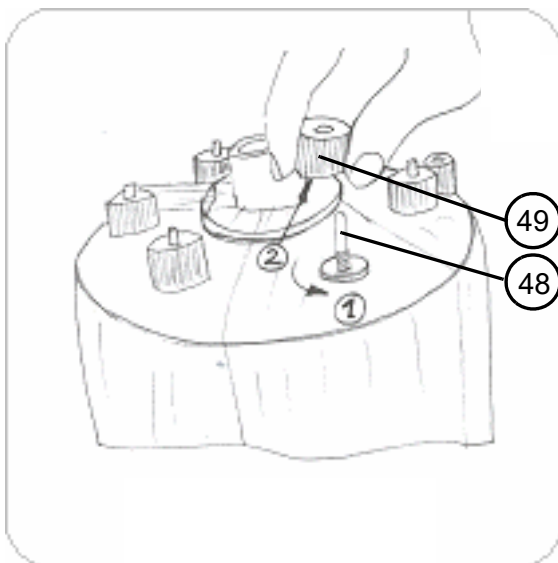
9.9 Electrode replacement

- » Remove and open cylinder, as described in section "Removal and reinstallation of the steam cylinder"

Please note

When mounting the electrodes, make sure that the hand nut colours corresponding with the wiring colours remain in the same position as before in order to omit any unwanted shift of electrical potential. Hence, the hand nut positions must be recorded before they are removed. During reassembly, particular care must be taken to ensure that no grey wire is connected to the electrode plug next to the (grey) sensor electrode hand nut.

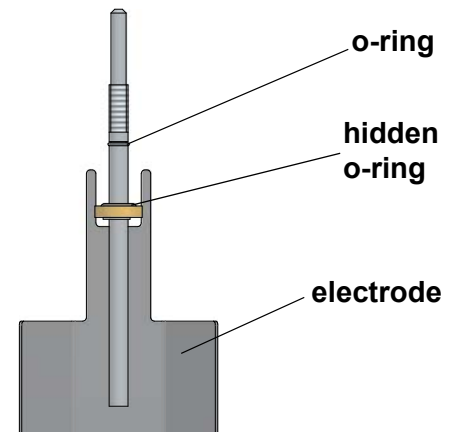
- » Unscrew hand nuts (49)



- » Remove electrodes (48)
- » Install new electrodes (48). Make sure that the electrodes are positioned correctly (see exploded view).

Please note

The electrodes for use with the CY45/2 steam cylinder feature a two-fold sealing (s. fig.) In order to allow for the problemfree electrode installation, moisten the upper o-ring with water or soap solution.



Two-fold sealing of the electrodes for the steam cylinder CY45/2 (FLE50/65/100/130)

- » Hand tighten the nuts (49).
- » Use solvent-free, HygroMatik-quality o-rings (for flange, electrodes, cylinder base and steam hose adapter).
- » Assemble steam cylinder
- » Plug the electrode plugs (4) directly onto the electrodes (48)
- » Install the steam cylinder

Genuine electrode length

HygroMatik large area electrodes made from stainless steel have the following genuine lengths:

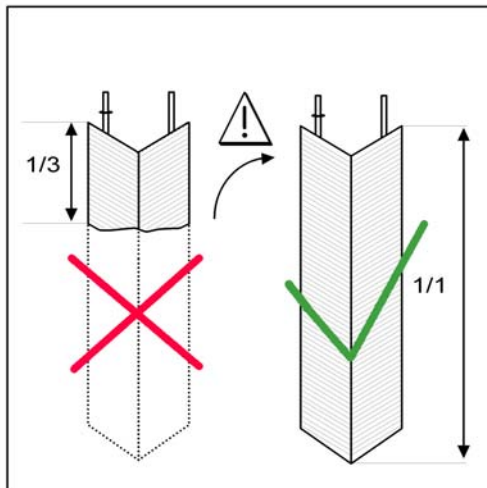
Model	Length [mm]
FLE05/10	155
FLE15	235
FLE20	210
FLE25	235
FLE30/40	265
FLE50/65	310 ^{*)}
FLE80	265
FLE100/130	310 ^{*)}

^{*)} The electrodes installed in the new CY45/2 steam cylinder feature a length of 300 mm

Electrode wear

Electrode wear depends on:

- composition and conductivity of the supply water
- the amount of steam produced



In case of the electrodes being burned-off to less than one third to half of their genuine length, electrode replacement should be made.

Please note

When cylinder water maximum level is detected for a period of 60 mins, an error message (s. FlexLine control manual, „Faults and warnings“ section) is generated and unit operation is cut. At the latest, electrode replacement should then be made.

9.10 Functional check

- » Run the system with maximum output for a couple of minutes
- » Check all safety devices.
- » Check hose connections and seals for leakage.

9.11 Finishing maintenance

After finishing substantial maintenance work, the service interval must be reset by means of the „Service-reset_cyl. 1“ or „Service-reset_cyl. 2“ parameters (only with double cylinder units), s. „FlexLine controls“ manual, „Service“ submenu.

The steam amount counter now again holds the value preset that determines the next maintenance requirement when reached.

10. Dismantling

Once the steam humidifier will no longer be used, dismantle (demolish or scrap) it by following the installation procedures in reverse order.

▲ WARNING

Warning: Dismantling of the unit may only be performed by qualified personnel. Electrical dismantling may only be performed by trained electricians.

Please note

Obey the safety guidelines in section “Safety Instructions,” especially the guidelines for disposal.

11. Declaration of Conformity

EU Konformitätserklärung
EU Declaration of Conformity

Hersteller / Manufacturer: HygroMatik GmbH
Anschrift / Address: Lise-Meitner-Straße 3, D-24558 Henstedt-Ulzburg, Germany
Produktbezeichnung: / Product description **FlexLine Elektrode (FLE):**
 FLE04*, FLE05*, FLE10*, FLE15*, FLE20*, FLE25*, FLE30*
 FLE40*, FLE50*, FLE65*, FLE80*, FLE100*, FLE130*
 *(sowie Ausführungen / Product Versions -T, oder -TSPA)

Die bezeichneten Produkte stimmen in der von uns in Verkehr gebrachten Ausführung mit den Vorschriften folgender Europäischer Richtlinien überein:

The products described above in the form as delivered are in conformity with the provisions of the following European Directives:

- 2014/30/EU** Richtlinie des Rates zur Angleichung der Rechtsvorschriften der Mitgliedstaaten über die elektromagnetische Verträglichkeit.
Council Directive on the approximation of the laws of the Member States relating to electromagnetic compatibility.
- 2014/35/EU** Richtlinie des Rates zur Angleichung der Rechtsvorschriften der Mitgliedstaaten betreffend elektrische Betriebsmittel zur Verwendung innerhalb bestimmter Spannungsgrenzen.
Council Directive on the approximation of the laws of the Member States related to electrical equipment designed for use within certain voltage limits.

Die Konformität mit den Richtlinien wird nachgewiesen durch die Einhaltung folgender Normen:
Conformity to the Directives is assured through the application of the following standards:

Referenznummer:	Ausgabedatum:	Referenznummer:	Ausgabedatum:
<i>Reference Number:</i>	<i>Edition:</i>	<i>Reference Number:</i>	<i>Edition:</i>
DIN EN 61000-6-2	2006-03	DIN EN 60335-1	2012-10
DIN EN 61000-6-3	2011-09	DIN EN 60335-1 Ber.1	2014-04
DIN EN 62233	2008-11	DIN EN 60335-2-98	2009-04
DIN EN 62233 Ber.1	2009-04		

Das Produkt entspricht den Anforderungen des deutschen Produktsicherheitsgesetzes ProdSG hinsichtlich der Gewährleistung von Sicherheit und Gesundheit. Produktänderungen nach Auslieferung können zum Verlust der Konformität führen.
The requirements of the German Product Safety Law ProdSG regarding the ensurance of safety and health are met. Product modifications after delivery may result in a loss of conformity.

Henstedt-Ulzburg, den / the 03.04.2017

HygroMatik GmbH


 Dirc Menssing
 Geschäftsführer / General Manager


 i.V. Frank Michaelsen
 Leitung Technik / Head of Engineering

Diese Erklärung bescheinigt die Übereinstimmung mit den genannten Richtlinien, ist jedoch keine Zusicherung von Eigenschaften. Die Sicherheitshinweise der mitgelieferten Produktdokumentation sind zu beachten.
This declaration certifies the conformity to the specified directives but contains no assurance of properties. The safety documentation accompanying the product shall be considered in detail.

12. Spare Parts

*	FLE05 FLE10	FLE15	FLE20	FLE25	FLE30	FLE40	FLE50	FLE65	FLE80	FLE100	FLE130	Article No.	Description
Steam generation													
8	1											B-3204029	Sensor electrode
8		1	1	1	1	1	1	1	1	1	1	B-2204073	Sensor electrode
	1	1	1	1	1	1	1	1	1	1	1	E-2204202	Hand nut M6, grey, for sensor electrode
	1	1	1	1	1	1	1	1	1	1	1	B-3216021	Cylinder flange clamps, set=24pc
37	1											E-3220002	Cylinder base
37		1	1	1	1	1	1	1	2	2	2	E-2206090	Cylinder base
	1											B-2214023	Mounting set for Cylinder base
		1	1	1	1	1	1	1	2	2	2	B-3216023	Mounting set for Cylinder base
1	1	1										E-2209018	Adapter for Steam hose, HVAC
1	1	1										E-2209008	Adapter for Steam hose, SPA
1			1	1	1	1	2	2	2	2	2	E-2209008	Adapter for Steam hose, HVAC + SPA
2	1	1	1	1	1	1	2	2	2	2	2	E-2209002	Clip for adapter
Steam generation, operating voltage above 240V up to 480V													
	1											SP-03-00000	Steam Cylinder CY08 compl.
		1										SP-04-00002	Steam Cylinder CY17 compl. w ith 3 electrodes
			1									SP-04-00000	Steam Cylinder CY17 compl. w ith 3 electrodes
				1								SP-04-00100	Steam Cylinder CY17 compl. w ith 6 electrodes
					1	1			2			SP-05-00000	Steam Cylinder CY30 compl.
							1	1		2	2	SP-06-00000	Steam Cylinder CY45/2 compl.
48	1											B-3204021	Electrodes w ithout hand nuts, set=3pc.
48		1										B-2204087	Electrodes w ithout hand nuts, set=3pc.
48			1									B-2206221	Electrodes w ithout hand nuts, set=3pc.
48				1								B-2204089	Electrodes w ithout hand nuts, set=6pc.
48					1	1			2			B-2204093	Electrodes w ithout hand nuts, set=6pc.
48							1	1		2	2	B-2204091	Electrodes w/o hand nuts, set=6pc., for cylinder CY45 (until 10/2018)
48							1	1		2	2	SP-06-00010	Electrodes w/o hand nuts, set=6pc., for cylinder CY45/2 (from 11/2018)
49	1											B-2207101	Hand nuts M6 for Cylinder CY08, set=3pc.
49		1	1									B-2207103	Hand nuts M8 for Cylinder CY17, set=3pc.
49				1	1	1			2			B-2207105	Hand nuts M8 for Cylinder CY17/CY30, set=6pc.
49							1	1		2	2	B-2207107	Hand nuts M10 for Cylinders CY45 and CY45/2, set=6pc.
	1											AC-03-00000	O-ring set (Pos. 3, 17, 31, 33, 34, 35, 36, 38)
		1	1									AC-04-00000	O-ring set (Pos. 3, 17, 31, 33, 34, 35, 36, 38)
				1								AC-04-00100	O-ring set (Pos. 3, 17, 31, 33, 34, 35, 36, 38)
					1	1			2			AC-05-00000	O-ring set (Pos. 3, 17, 31, 33, 34, 35, 36, 38)
							1	1		2	2	AC-06-00000	O-ring set (Pos. 3, 17, 31, 33, 34, 35, 36, 38) for cylinders until 10/2018
							1	1		2	2	AC-06-00002	O-ring set (Pos. 3, 17, 31, 33, 34, 35, 36, 38) for cylinder CY45/2 from 11/2018
Steam generation, special voltage 208V to 240V													
	1											SP-03-00000	Steam Cylinder CY08 compl.
		1										SP-04-00000	Steam Cylinder CY17 compl. w ith 6 electrodes
				1								SP-04-00001	Steam Cylinder CY17 compl. w ith 6 electrodes
					1	1			2			SP-05-00001	Steam Cylinder CY30 compl.
							1			2		SP-06-00001	Steam Cylinder CY45/2 compl. (from 11/2018)
48	1											B-3204007	Electrodes w ithout hand nuts, set=3pc.
48		1										B-2206221	Electrodes w ithout hand nuts, set=6pc.
48				1								B-2206223	Electrodes w ithout hand nuts, set=6pc.
48					1	1			2			B-2204063	Electrodes w ithout hand nuts, set=6pc.
48							1			2		B-2206225	Electrodes w ithout hand nuts, set=6pc. For cylinders until 10/2018
48							1	1		2		SP-06-00011	Electrodes w ithout hand nuts, set=6pc. For cylinder CY45/2 (from 11/2018)
Steam generation, special voltage from 500V													
	1											SP-03-00004	Steam Cylinder CY08 compl.
		1	1									SP-04-00004	Steam Cylinder CY17 compl. w ith 3 electrodes
				1								SP-04-00014	Steam Cylinder CY17 compl. w ith 6 electrodes
					1	1			2			SP-05-00004	Steam Cylinder CY30 compl.
							1	1		2	2	SP-06-00004	Steam Cylinder CY45/2 compl.
48	1											B-3204015	Electrodes w ithout hand nuts, set=3pc.
48		1	1									B-2204087	Electrodes w ithout hand nuts, set=3pc.
48				1								B-2204089	Electrodes w ithout hand nuts, set=6pc.
48					1	1			2			B-2204093	Electrodes w ithout hand nuts, set=6pc.
48							1	1		2	2	B-2298007	Electrodes w ithout hand nuts, set=6pc. for cylinders until 10/2018
48							1	1		2	2	SP-06-00012	Electrodes w ithout hand nuts, set=6pc. for cylinder CY45/2 (from 11/2018)
	1											AC-03-00001	O-ring set (Pos. 3, 17, 31, 33, 34, 35, 36, 38)
		1	1									AC-04-00001	O-ring set (Pos. 3, 17, 31, 33, 34, 35, 36, 38)
				1								AC-04-00101	O-ring set (Pos. 3, 17, 31, 33, 34, 35, 36, 38)
					1	1			2			AC-05-00001	O-ring set (Pos. 3, 17, 31, 33, 34, 35, 36, 38)
							1	1		2	2	AC-06-00001	O-ring set (Pos. 3, 17, 31, 33, 34, 35, 36, 38) for cylinders until 10/2018
							1	1		2	2	AC-06-00003	O-ring set (Pos. 3, 17, 31, 33, 34, 35, 36, 38) for cylinder CY45/2 from 11/2018

*	FLE05	FLE15	FLE20	FLE25	FLE30	FLE40	FLE50	FLE65	FLE80	FLE100	FLE130	Article No.	Description
Water feed													
25	1											WF-03-00010	Solenoid valve, 1,1l/min, 220-240V, 0,2 - 10bar, with mounting set
25		1	1	1								WF-04-00010	Solenoid valve, 2,3l/min, 220-240V, 0,2 - 10bar, with mounting set
25					1	1	1	1	2	2	2	WF-06-00010	Solenoid valve, 3,4l/min, 220-240V, 0,2 - 10bar, with mounting set
20	0.9	1.6	1.6	1.6	1.6	1.6	1.6	1.6	3.2	3.2	3.2	E-2604002	Connecting hose solenoid valve - CYlinder base [m]
	1	1	1	1	1	1	1	1	2	2	2	E-2304080	Bush for earthing
58	1	1	1	1	1	1	1	1	2	2	2	E-2604094	Double check valve
18	6	6	6	6	6	6	6	6	12	12	12	E-8501064	Hose clamp 12-22mm
56	1	1	1	1	1	1	1	1	1	1	1	B-2304031	Hose for water connection, 0,6m, 3/4" cap nuts on both sides
29	0.5	0.7	0.7	0.7	0.7	0.7	0.8	0.8	2x0,7	2x0,8	2x0,8	E-2604004	Manual drain hose [m]
Water drain													
	1	1	1	1	1	1	1	1	2	2	2	B-2425009	Pump- drain- hose- system (Pos. 6, 14, 15, 30, 31)
32	1	1	1	1	1	1	1	1	2	2	2	B-2404027	Drain pump without mounting set, with 2 o-rings
42	1	1	1	1	1	1	1	1	2	2	2	B-2424014	Mounting set for drain pump
Electronics in general													
	1	1	1	1	1	1	1	1	1	1	1	CN-07-00020	Mainboard incl. Plug (please note serial no. of unit for order)
									1	1	1	CN-07-00030	Extension board for double units
	1	1	1	1	1	1	1	1	1	1	1	CN-07-00040	Relay board
	1	1	1	1	1	1	1	1	1	1	1	CN-07-00021	Display FlexLine
	1	1	1	1	1	1	1	1	1	1	1	E-2502412	Control switch, double pole, middle position = "0"
Electronics, operating voltage over 240V to 480V													
	1											E-2507040	Main contactor 20A
		1	1	1	1	2	2		4	4		E-2507060	Main contactor 35A
								2			4	E-2507066	Main contactor 40A
1												WR-03-00001	Connecting cables for electrodes and sensor electrode with plugs (Pos. 4, 5)
		1	1									WR-04-00001	Connecting cables for electrodes and sensor electrode with plugs (Pos. 4, 5)
				1								WR-04-00101	Connecting cables for electrodes and sensor electrode with plugs (Pos. 4, 5)
					1	1			2			WR-05-00001	Connecting cables for electrodes and sensor electrode with plugs (Pos. 4, 5)
							1			2		WR-06-00001	Connecting cables for electrodes and sensor electrode with plugs (Pos. 4, 5)
								1			2	WR-06-00101	Connecting cables for electrodes and sensor electrode with plugs (Pos. 4, 5)
Electronics, special voltage 208V to 240V													
	1											E-2507040	Main contactor 20A
		1		2	2	2			4			E-2507060	Main contactor 25A
							2			4		E-2507070	Main contactor 50A
1												WR-03-00001	Connecting cables for electrodes and sensor electrode with plugs (Pos. 4, 5)
		1		1								WR-04-00101	Connecting cables for electrodes and sensor electrode with plugs (Pos. 4, 5)
					1	1			2			WR-05-00001	Connecting cables for electrodes and sensor electrode with plugs (Pos. 4, 5)
							1			2		WR-06-00101	Connecting cables for electrodes and sensor electrode with plugs (Pos. 4, 5)
Electronics, special voltage from 500V													
	1											E-2507040	Main contactor 20A
		1	1	1	1	2	2	2	4	4	4	E-2507060	Main contactor 35A
1												WR-03-00001	Connecting cables for electrodes and sensor electrode with plugs
		1	1									WR-04-00001	Connecting cables for electrodes and sensor electrode with plugs
				1								WR-04-00101	Connecting cables for electrodes and sensor electrode with plugs
					1	1			2			WR-05-00001	Connecting cables for electrodes and sensor electrode with plugs
							1	1		2	2	WR-06-00001	Connecting cables for electrodes and sensor electrode with plugs

*	FLE05 FLE10	FLE15	FLE20	FLE25	FLE30	FLE40	FLE50	FLE65	FLE80	FLE100	FLE130	Article No.	Description
													Accessories
70	x	x										E-2604012	Steam hose DN25, per m
70	x	x	x	x	x	x	x	x	x	x	x	E-2604013	Steam hose DN40, per m
57	x	x	x	x	x	x	x	x	x	x	x	E-2420423	Drain hose 1 1/4", per m
57	x	x	x	x	x	x	x	x	x	x	x	E-2604002	Condensate hose DN12, per m
	x	x										E-2404004	Steam hose clamp DN25
	x	x	x	x	x	x	x	x	x	x	x	E-2604016	Steam hose clamp DN40
	x	x	x	x	x	x	x	x	x	x	x	E-2404010	Clamp for drain hose 1 1/4"
	x	x	x	x	x	x	x	x	x	x	x	E-8501064	Condensate hose clamp
	x											E-2604042	Connectors for steam distribution T-piece DN25, stainless steel
	x	x	x	x	x	x	x	x	x	x	x	E-2604023	Connectors for steam distribution T-piece DN40, stainless steel
	x	x	x	x	x	x	x	x	x	x	x	E-2604021	Connectors for condensate T-piece DN12
	x	x	x	x	x	x	x	x	x	x	x	B-2604091	Essence pump
	x	x	x	x	x	x	x	x	x	x	x	E-2604070	Hose, 6x1.5, for essence injection
	x	x	x	x	x	x	x	x	x	x	x	B-2604069	T-piece for essence injection, 2xDN40, 1xDN6

Your spare parts order may be directed to
the e-mail: gobrid@eunet.rs.

Please make sure to specify your unit model
and serial number.

This page intentionally left blank

This page intentionally left blank

13. Technical specifications

FLE Steam Humidifier Climate

Unit type	Technical specifications FlexLine electrodes						
	FLE05	FLE10	FLE15	FLE20	FLE25	FLE30	FLE40
Steam output [kg/h]	4,8-5,2	9,5-10,4	14,3-15,6	19,0-20,8	24,0-26,0	28,5-31,2	38,2-41,7
Electrical connection ⁽¹⁾	380-415V /3Ph /50-60Hz						
Rated power [kW]	3,6-3,9	7,1-7,8	10,7-11,7	14,3-15,6	18-19,5	21,4-23,4	28,6-31,3
Nominal current [A]	5,4	10,8	16,3	21,7	27,2	32,5	43,5
Fuse [A] ⁽³⁾	3 x 10	3 x 16	3 x 20	3 x 32		3 x 40	3 x 50
Number of steam cylinder	1						
Control	FlexLine mainboard with capacitive 3.5" touch colour display						
Separate control voltage ⁽⁴⁾	220-240V /N /2,5A						
Steam hose connection [mm]	1 x 25			1 x 40			2 x 40 ⁽⁵⁾
Empty weight [kg]	16		22		23	26	27
Max. filling capacity [l]	5		13			21	
Operation weight [kg]	21		36		37	47	48
Width ⁽⁶⁾ [mm]	540					580	
Height ⁽⁶⁾ [mm]	535		695			750	
Depth ⁽⁶⁾ [mm]	320					355	
Water connection	tap water of varying qualities 1 to 10bar, 1 to 10 bar, for 3/4" external thread						
Drain water connection	Connection Ø 1 1/4"						

Unit type	Technical specifications FlexLine electrodes				
	FLE50	FLE65	FLE80	FLE100	FLE130
Steam output [kg/h]	47,8-52,2	62,0-67,5	76,4-83,4	95,5-104,4	124,0-135,0
Electrical connection ⁽¹⁾	380-415V /3Ph /50-60Hz				
Rated power [kW]	35,9-39,2	46,3-50,6	2 x 28,6-31,3	2 x 35,8-39,1	2 x 46,3-50,6
Nominal current [A]	54,5	70,4	2 x 43,5	2 x 54,5	2 x 70,4
Fuse [A] ⁽³⁾	3 x 63	3 x 80	2 x 3 x 50	2 x 3 x 63	2 x 3 x 80
Number of steam cylinder	1		2		
Control	FlexLine mainboard with capacitive 3.5" touch colour display				
Separate control voltage ⁽⁴⁾	220-240V /N /2,5A				
Steam hose connection [mm]	2 x 40		4 x 40 ⁽⁵⁾	4 x 40	
Empty weight [kg]	33	34	66	75	
Max. filling capacity [l]	36		42	71	
Operation weight [kg]	69	70	108	147	
Width ⁽⁶⁾ [mm]	640		1130	1170	
Height ⁽⁶⁾ [mm]	785		750	785	
Depth ⁽⁶⁾ [mm]	420				
Water connection	tap water of varying qualities 1 to 10bar, 1 to 10 bar, for 3/4" external thread				
Drain water connection	Connection Ø 1 1/4"		2x Connection Ø 1 1/4"		

⁽¹⁾ Other voltages upon request.

⁽³⁾ 13/28% above nominal power consumption after full blowdown. Observe actuation characteristics of automatic circuit-breakers. If necessary, select the next highest circuit-breaker level.

⁽⁴⁾ Internal control voltage upon request.

⁽⁵⁾ Incl. Y-piece DN40.

⁽⁶⁾ Outer dimensions of width and depth. Height incl. drain connection.

FLE Steam Humidifier Spa

Unit type	Technical specifications FlexLine electrodes						
	FLE05	FLE10	FLE15	FLE20	FLE25	FLE30	FLE40
Steam output [kg/h]	4,8-5,2	9,5-10,4	14,3-15,6	19,0-20,8	24,0-26,0	28,5-31,2	38,2-41,7
Electrical connection ⁽¹⁾	380-415V /3Ph /50-60Hz						
Rated power [kW]	3,6-3,9	7,1-7,8	10,8-11,7	14,3-15,6	18-19,5	21,4-23,4	28,6-31,2
Nominal current [A]	5,4	10,8	16,3	21,7	27,2	32,5	43,5
Fuse [A] ⁽³⁾	3 x 10	3 x 16	3 x 20	3 x 32		3 x 40	3 x 50
Number of steam cylinder	1						
Control	FlexLine mainboard with capacitive 3.5" touch colour display						
Separate control voltage ⁽⁴⁾	220-240V /N /2,5A						
Steam hose connection [mm]	1 x 40						2 x 40 ⁽⁵⁾
Empty weight [kg]	16		22		23	26	27
Max. filling capacity [l]	5		13			21	
Operation weight [kg]	21		36		37	47	48
Width ⁽⁶⁾ [mm]	540					580	
Height ⁽⁶⁾ [mm]	535			695			750
Depth ⁽⁶⁾ [mm]	320					355	
Water connection	tap water of varying qualities 1 to 10bar, 1 to 10 bar, for 3/4" external thread						
Drain water connection	Connection Ø 1 1/4"						

⁽¹⁾ Other voltages upon request.

⁽³⁾ 13/28% above nominal power consumption after full blowdown. Observe actuation characteristics of automatic circuit-breakers. If necessary, select the next highest circuit-breaker level.

⁽⁴⁾ Internal control voltage upon request.

⁽⁵⁾ Incl. Y-piece DN40.

⁽⁶⁾ Outer dimensions of width and depth. Height incl. drain connection.

Unit type	Technical specifications FlexLine electrodes				
	FLE50	FLE65	FLE80	FLE100	FLE130
Steam output [kg/h]	48,0-52,0	62,0-67,5	76,4-83,4	95,5-104,4	124,0-135,0
Electrical connection ⁽¹⁾	380-415V /3Ph /50-60Hz				
Rated power [kW]	35,9-39,2	46,3-50,6	2 x 28,6-31,2	2 x 35,9-39,2	2 x 46,3-50,6
Nominal current [A]	54,5	70,4	2 x 43,5	2 x 54,5	2 x 70,4
Fuse [A] ⁽³⁾	3 x 63	3 x 80	2 x 3 x 50	2 x 3 x 63	2 x 3 x 80
Number of steam cylinder	1		2		
Control	FlexLine mainboard with capacitive 3.5" touch colour display				
Separate control voltage ⁽⁴⁾	220-240V /N /2,5A				
Steam hose connection [mm]	2 x 40		2 x 40 ⁽⁵⁾	4 x 40	
Empty weight [kg]	33	34	66	75	-
Max. filling capacity [l]	36		42	71	
Operation weight [kg]	69	70	108	147	-
Width ⁽⁶⁾ [mm]	640		1130	1170	
Height ⁽⁶⁾ [mm]	785		750	785	
Depth ⁽⁶⁾ [mm]	420				
Water connection	tap water of varying qualities 1 to 10bar, 1 to 10 bar, for 3/4" external thread				
Drain water connection	Connection Ø 1 1/4"		2x Connection Ø 1 1/4"		

⁽¹⁾ Other voltages upon request.

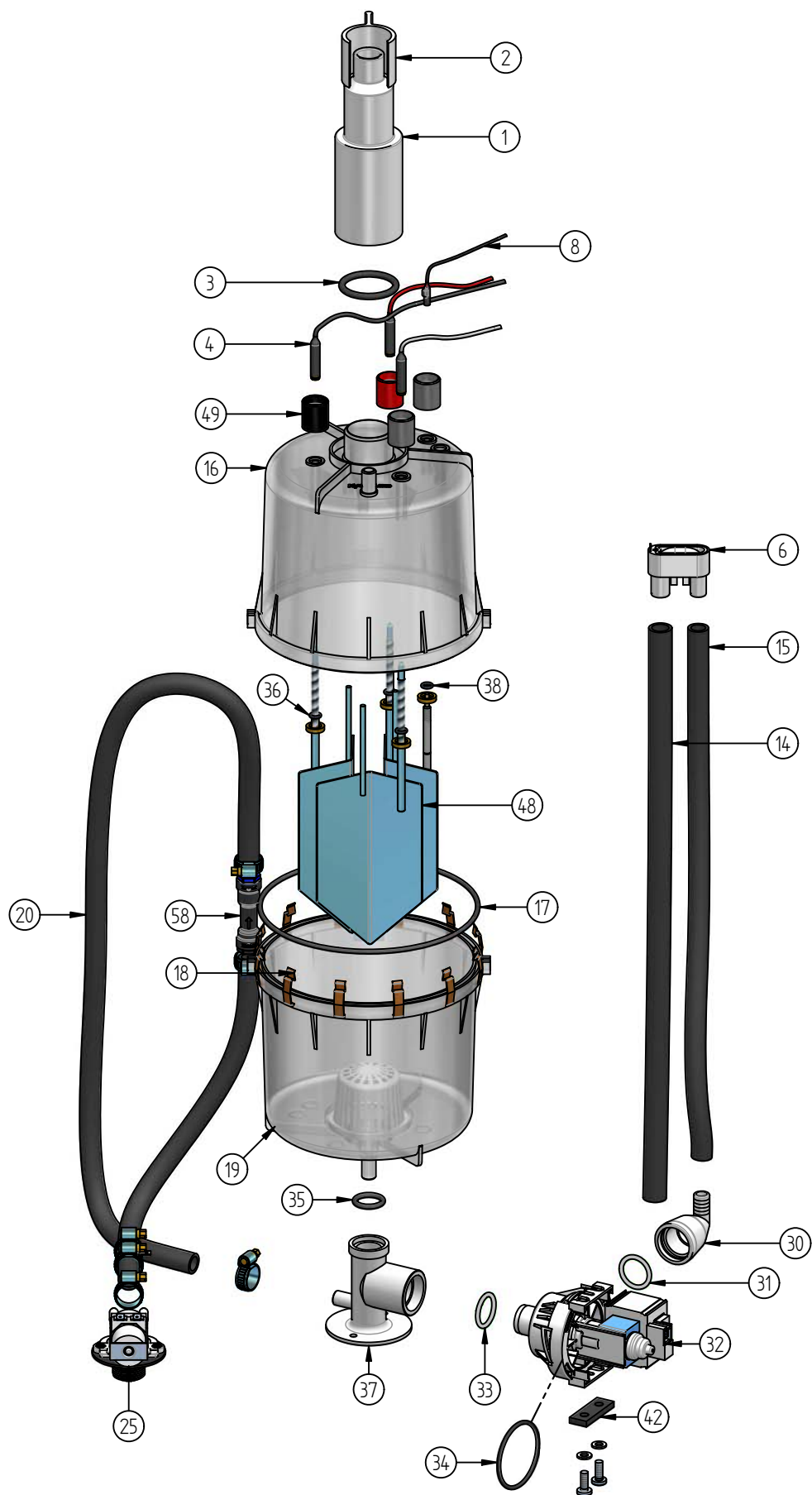
⁽³⁾ 13/28% above nominal power consumption after full blowdown. Observe actuation characteristics of automatic circuit-breakers. If necessary, select the next highest circuit-breaker level.

⁽⁴⁾ Internal control voltage upon request.

⁽⁵⁾ Incl. Y-piece DN40.

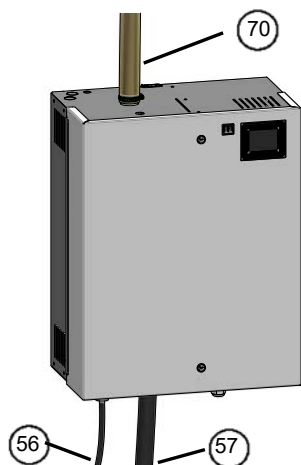
⁽⁶⁾ Outer dimensions of width and depth. Height incl. drain connection.

14. Exploded view

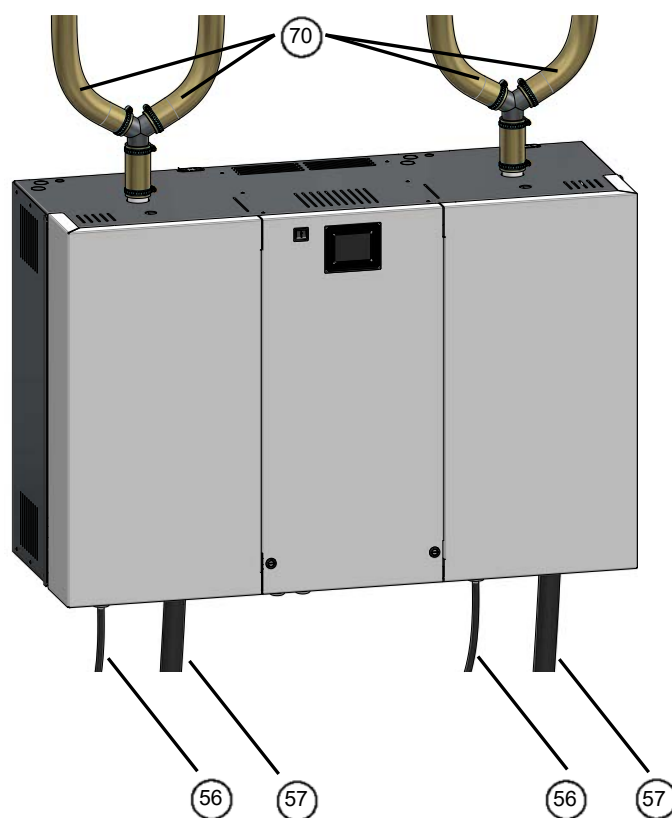


15. View of housing

FLE05 - FLE30



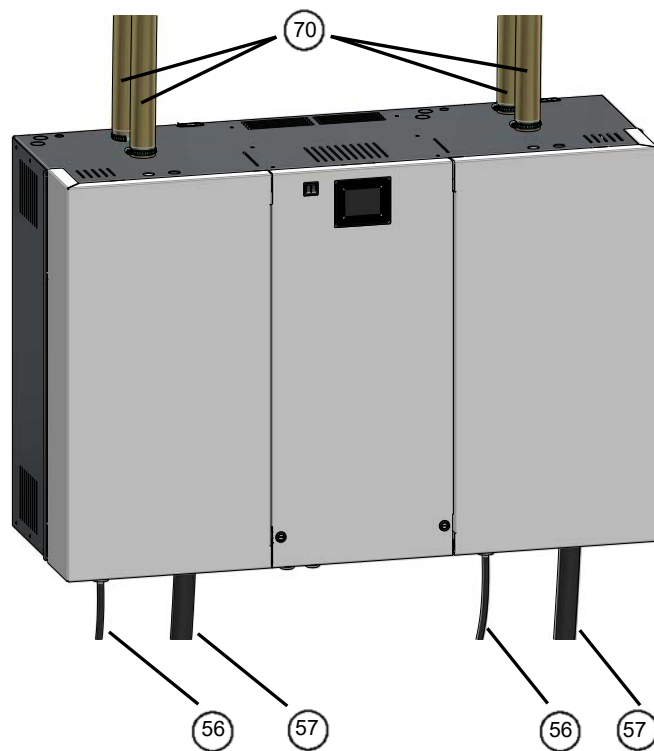
FLE80



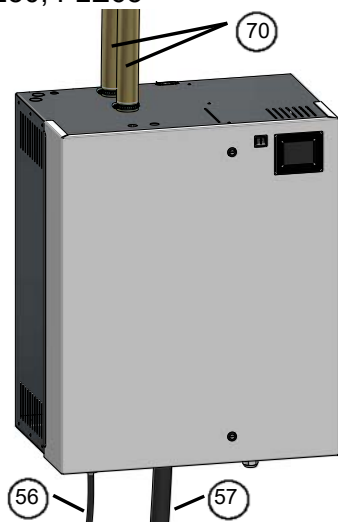
FLE40



FLE100, FLE130



FLE50, FLE65



HygroMATIK[®]

AIRTREND Limited

Predstavništvo u Beogradu

Kumanovska 14, 11000 Beograd

Tel: 011 383 68 86, 308 57 40

Faks: 011 344 41 13

e-mail: gobrid@eunet.rs

web: www.airtrend.rs

