

RDP

THE EFFICIENT ALL-ROUNDER



AIRTREND Ltd.
Predstavništvo u Beogradu
Kumanovska 14
11000 Beograd
Tel: 011 3836886, 3085740
Faks: 011 3444113
e-mail: gobrid@eunet.rs
web: www.airtrend.rs

REGAL®

THE EFFICIENT ALL-ROUNDER

THE ALTERNATIVE TO CLASSICAL BELT DRIVES

The high-performance RDP fan is a double-inlet, direct-drive centrifugal fan with backward curved blades. With a combination of the motor, lightweight aluminium impeller and electronics, it is particularly compact and robust. This makes the RDP the ideal partner where you are looking to replace a fan with a more energy-efficient product, for example.



START SAVING WITH THE RDP:

1) LOW COSTS FOR INSTALLATION AND SETUP

- No further assembly work.
- Plug and Play electronics don't need configuring.

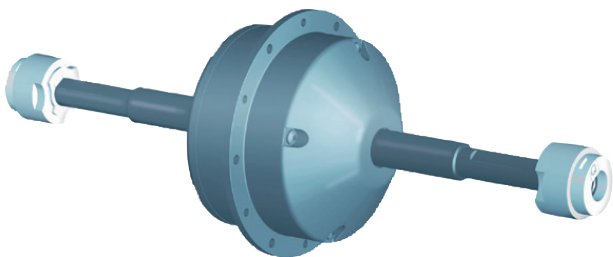
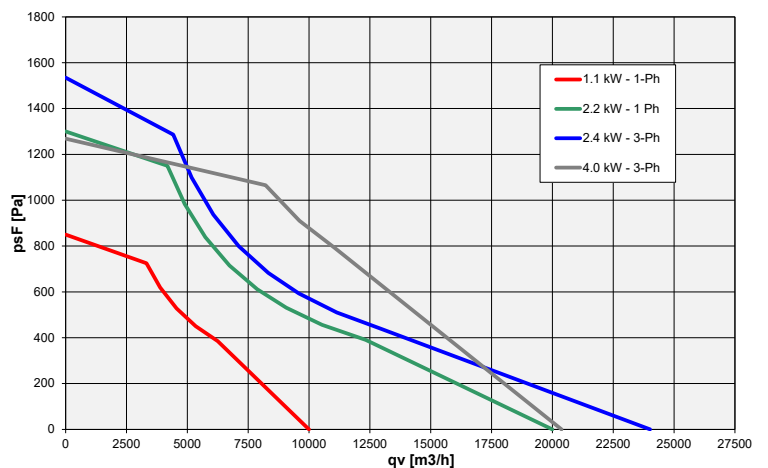
2) LOW OPERATING COSTS

- IE5 EC direct-drive motor.
- No belt losses.
- Streamlined motor installation for optimum aerodynamics.

3) LOW MAINTENANCE COSTS

- The belt does not require maintenance.
- Long-life, maintenance-free bearings.

RDP RANGE - PLANNED EXPANSION OF THE PERFORMANCE ENVELOPE



TECHNICAL FEATURES

- “One-piece” integrated solution.
- Top rating efficiency.
- Plug and play operation.
- No configuration needed.
- Low noise level.
- High reliability.

GENERAL FEATURES

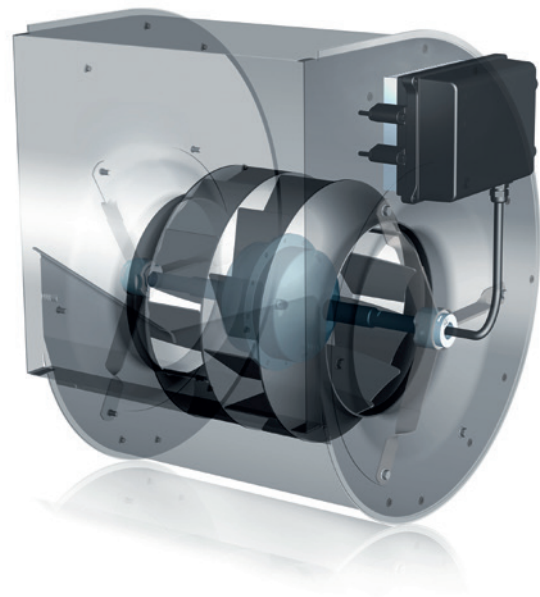
- Sensor-less control.
- Simple installation due to plug and play.
- Complete drive system IP 54.
- Designed for double inlet fans.
- EMC compliant to IEC 61800-3 requirements, class C1 and low harmonics for 1-Ph models, class C2 for 3-Ph models.

INTERFACE

- Analogue interface for speed control.
- Daisy chain connectivity.
- Master-slave function.
- Full MODBUS interface compliancy.

ENERGY SAVING CONCEPT

- New high efficiency permanent magnet motor.
- New compact and streamlined motor design.
- High intensity neodymium magnets.
- No obstruction of intake flow due to the control unit, which is fitted to the side-plate.
- Low aerodynamic losses through intelligent impeller and casing design.



RDP RANGE

Motor \ Size	280	315	355	400	450	500	560	630
1 kW / 1 Ph	In production							
2.2 kW / 1 Ph	In production							
2.4 kW / 3 Ph	In production				Under development			
4 kW / 3 Ph				Under development				

